

EN Instruction Manual

FR Instructions de service

NL Gebruikshandleiding

US 62 E /4	US 73 E /12	US 75 E /0	US 151 E /0
US 62 D /4	US 73 D /12	US 75 D /0	US 151 D /0
US 102 E /0	US 73 HE /1	US 105 E /0	US 251 D /0
US 102 D /10	US 103 E /0	US 105 D /0	US 253 D /0
US 152 E /0	US 103 D /1	US 155 E /0	
US 152 D /0	US 103 HE /0	US 155 D /0	
	US 153 E /1		
	US 153 D /1		
US 62 ES /4	US 73 ES /12	US 75 ES /0	US 151 ES /0
US 62 DS /4	US 73 DS /12	US 75 DS /0	US 151 DS /0
US 102 ES /0	US 73 HES /1	US 105 ES /0	US 251 DS /0
US 102 DS /10	US 103 ES /0	US 105 DS /0	US 253 DS /0
US 152 ES /0	US 103 DS /1	US 155 ES /0	
US 152 DS /0	US 103 HES /0	US 155 DS /0	
	US 153 ES /2		
	US 153 DS /3		

EN Instruction Manual: Safety instructions • Areas of application • Electrical connection • Installation • Servicing • Technical data • Appendix

You have purchased a product made by JUNG PUMPEN and with it, therefore, also excellent quality and service. Secure this service by carrying out the installation works in accordance with the instructions, so that our product can perform its task to your complete satisfaction. Please remember that damage caused by incorrect installation or handling will adversely affect the guarantee.

Therefore please adhere to the instructions in this manual!

As with all electrical devices, this product can also fail to operate due to an interruption in the electricity supply or due to a technical defect. If this could result in damage, a mains-independent alarm system must be installed. Depending on the application, you may also wish to install an emergency power generator, or a second system as a back-up.

FR Instructions de service: Consignes de sécurité • Utilisation • Branchement électrique • Installation • Maintenance • Caractéristiques techniques • Annexe

Vous avez opté pour un produit JUNG PUMPEN, synonyme de qualité et de performance. Assurez-vous cette performance par une installation conforme aux directives: notre produit pourra ainsi remplir sa mission à votre entière satisfaction. N'oubliez pas que les dommages consécutifs à un maniement non conforme porteront préjudice au droit à la garantie.

Veillez donc respecter les consignes contenues dans ces instructions !

Comme tout autre appareil électrique, ce produit peut aussi tomber en panne suite à une absence de tension ou à un défaut technique. Si une telle panne peut être la source d'un dommage, il est impératif d'installer un système d'alarme indépendant du secteur. En fonction de l'application, à vous de juger de l'utilité de prévoir un groupe électrogène ou une deuxième installation.

NL Veiligheidsinformatie • Gebruik • Elektrische aansluiting • Installatie • Onderhoud • Technische gegevens

U hebt een product van JUNG PUMPEN gekocht en daarmee kwaliteit en vermogen aangeschaft. Zorg dat dit vermogen tot zijn recht komt door een installatie volgens de voorschriften, zodat ons product zijn taak tot volle tevredenheid kan uitvoeren.

Denk eraan dat schade als gevolg van oneigenlijk gebruik van invloed kan zijn op de garantie.

Neem daarom de instructies in de gebruikshandleiding in acht!

Net als elk ander elektrisch apparaat, kan ook dit product uitvallen door ontbrekende netspanning of een technisch mankement. Als u

daardoor schade kunt oplopen, dan moet een netonafhankelijke alarminstallatie worden ingebouwd. Afhankelijk van de toepassing moet u na metingen eventueel ook een noodstroom-aggregaat en een tweede installatie inplannen.

PL Instrukcja eksploatacji: Instrukcje bezpieczeństwa • Zastosowanie • Przyłącze elektryczne • Montaż • Serwisowanie • Dane techniczne • Załącznik

Zakupili Państwo produkt JUNG PUMPEN, przez co również jakość i wydajność. Prosimy zapewnić sobie efektywność działania poprzez przepisowe zainstalowanie produktu, aby jego użytkownik był z niego w pełni zadowolony. Prosimy mieć na względzie, że w wyniku niewłaściwego obchodzenia się z produktem może dojść do utraty uprawnień gwarancyjnych.

Prosimy zatem o przestrzeganie wskazówek z instrukcji obsługi.

Urządzenie to, tak jak każde urządzenie elektryczne może ulec uszkodzeniu na skutek podłączenia do niewłaściwego źródła prądu. Jeśli w wyniku tego może dojść do awarii, wtedy należy zainstalować alarm niezależny od zasilania sieciowego. W zależności od zastosowania powinni Państwo w miarę swych możliwości przewidzieć zasilanie awaryjne na przykład z agregatu prądowłórczego.

CZ Návod pro provoz: Bezpečnostní pokyny • Použití • Elektrické zapojení • Montáž • Údržba • Technické údaje • Příloha

Zakoupili jste výrobek od firmy JUNG PUMPEN a tak získali kvalitu a výkon. Zajistěte si tento výkon instalací podle předpisů, aby náš výrobek plnil svoji úlohu k vaší plné spokojenosti. Myslete na to, že škody vzniklé v důsledku neodborného zacházení mají vliv na záruku.

Dodržujte proto pokyny uvedené v Návodu pro provoz!

Jako každý jiný elektropřístroj, může také tento výrobek mít výpadek v důsledku chybějícího napájení ze sítě nebo technické závady. Jestliže vám tím může být způsobena škoda, musí být instalováno poplašné zařízení nezávislé na elektrické síti. V závislosti na způsobu použití musíte dle svého uvážení instalovat eventuelně nouzový agregát nebo druhé zařízení.

SK Návod na obsluhu: Bezpečnostné pokyny • Použitie • Elektrické pripojenie • Inštalácia • Údržba • Technické údaje • Príloha

Zakúpili ste si výrobok od spoločnosti JUNG PUMPEN, čím ste nadobudli kvalitu a výkon. Zabezpečte si tento výkon predpísanou inštaláciou, aby náš výrobok mohol plniť svoju úlohu k Vašej úplnej spokojnosti. Myslite na to, že škody vzniknuté v dôsledku neodborného používania čerpadla obmedzujú záruku.

Rešpektujte preto pokyny uvedené v tomto návode na obsluhu!

Ako u každého iného elektrického zariadenia môže aj u tohto výrobku dôjsť k výpadku v dôsledku chýbajúceho sieťového napätia alebo technickej chyby. Ak by Vám týmto mohla vzniknúť škoda, musíte nainštalovať nezávislý alarm. V závislosti od použitia musíte podľa vlastného uváženia naplánovať aj agregát núdzového prúdu alebo záložné čerpadlo.

HU Üzemeltetési útmutató: Biztonsági utasítások • Alkalmazási terület • Beépítés • Karbantartás • Műszaki adatok • Melléklet

Őn egy JUNG PUMPEN terméket és ezáltal minőséget és teljesítményt vásárolt. Kérjük, hogy ezen Üzemeltetési útmutató szerint telepítse a terméket, hogy az az Ön teljes megegyezésére üzemelhessen. Ne felejtse el, hogy a szakszerűtlen kezeléssel okozott károsokra nem terjed ki a garancia.

Ezért kérjük, tartsa be az Üzemeltetési útmutatóban leírtakat!

Bármely más villamos készülékhez hasonlóan előfordulhat, hogy ez a termék sem működik például áramszünet vagy meghibásodás miatt. Ha emiatt kár keletkezhet Önöknél, akkor egy hálózattól független riasztóberendezést kell beépíteni. Az adott alkalmazás alapján Önnek mérlegelnie kell, nem célszerű-e betervezni egy tartalék gépet vagy egy szülség-áramfejlesztőt. Giat. Duipis euissi. Igna feugiamet, velese dui esto ercil enit velenibh ea feu facil ut velestrud digna cortie tat, quat. Iquissent vulla feu facilit exer sumsandre molore venim vent luptatum

RO Manual de utilizare: Instrucțiuni de siguranță • Utilizare • Conexiune electrică • Instalare • Întreținere • Date tehnice • Anexa

Ați cumpărat un produs de la JUNG PUMPEN obținând astfel calitate și performanță. Asigurați-vă această performanță printr-o instalare conform normelor, astfel încât produsul nostru să-și poată îndeplini funcția spre mulțumirea dumneavoastră deplină. Aveți în vedere faptul că defecțiunile apărute în urma manevrării necorespunzătoare influențează acordarea garanției.

De aceea respectați instrucțiunile din cadrul manualului de utilizare!

Ca orice alt aparat electric și acest produs poate să se oprească din cauza lipsei tensiunii de alimentare sau a unei defecțiuni tehnice. În cazul în care există riscul apariției unei pagube din această cauză, trebuie montată o instalație de alarmă independentă de rețea. În funcție de utilizare, trebuie să planificați eventual și un agregat pentru curent de rezervă sau o a doua instalație.

Safety instructions

This instruction manual contains essential information that must be observed during installation, operation and servicing. It is therefore important that the installer and the responsible technician/operator read this instruction manual before the equipment is installed and put into operation. The manual must always be available at the location where the pump or the plant is installed.

Failure to observe the safety instructions can lead to the loss of all indemnity.

Labelling of instructions

In this instruction manual, safety information is distinctly labelled with particular symbols. Disregarding this information can be dangerous.



General danger to people



Warning of electrical voltage

ATTENTION! Danger to equipment and operation

Qualification and training of personnel

All personnel involved with the operation, servicing, inspection and installation of the equipment must be suitably qualified for this work and must have studied the instruction manual in depth to ensure that they are sufficiently conversant with its contents. The supervision, competence and areas of responsibility of the personnel must be precisely regulated by the operator. If the personnel do not have the necessary skills, they must be instructed and trained accordingly.

Safety-conscious working

The safety instructions in this instruction manual, the existing national regulations regarding accident prevention, and any internal working, operating and safety regulations must be adhered to.

Safety instructions for the operator/user

All legal regulations, local directives and safety regulations must be adhered to.

The possibility of danger due to electrical energy must be prevented.

Leakages of dangerous (e.g. explosive, toxic, hot) substances must be discharged such that no danger to people or the environment occurs. Legal regulations must be observed.

Safety instructions for installation, inspection and maintenance works

As a basic principle, works may only be carried out to the equipment when it is shut down. Pumps or plant that convey harmful substances must be decontaminated.

All safety and protection components must be re-fitted and/or made operational immediately after the works have been completed. Their effectiveness must be checked before restarting, taking into account the current regulations and stipulations.

Unauthorised modifications, manufacture of spare parts

The equipment may only be modified or altered in agreement with the manufacturer. The use of original spare parts and accessories approved by the manufacturer is important for safety reasons. The use of other parts can result in liability for consequential damage being rescinded.

Unauthorised operating methods

The operational safety of the supplied equipment is only guaranteed if the equipment is used for its intended purpose. The limiting values given in the "Technical Data" section may not be exceeded under any circumstances.

Instructions regarding accident prevention

Before commencing servicing or maintenance works, cordon off the working area and check that the lifting gear is in perfect condition.

Never work alone. Always wear a hard hat, safety glasses and safety shoes and, if necessary, a suitable safety belt.

Before carrying out welding works or using electrical devices, check to ensure there is no danger of explosion.

People working in wastewater systems must be vaccinated against the pathogens that may be found there. For the sake of your health, be sure to pay meticulous attention to cleanliness wherever you are working.

Make sure that there are no toxic gases in the working area.

Observe the health and safety at work regulations and make sure that a first-aid kit is to hand.

In some cases, the pump and the pumping medium may be hot and could cause burns.

For installations in areas subject to explosion hazards, special regulations apply!

Application

Submersible pumps from the US series are suitable for pumping domestic waste water without stones.

When using the pumps, the relevant national laws, regulations and stipulations must be adhered to, for example:

- Domestic contaminated and waste water (e.g. DIN 1986 part 3 in Germany)
- Installation of low voltage systems (e.g., VDE 0100 in Germany)

For non-standard utilisation conditions, further regulations must be observed (e.g. VDE 0100 in Germany, part 701: bathrooms and shower rooms; part 702: swimming pools and fountains and part 737: outdoor use).

Modes of operation

with the pumped medium at a temperature of 104°F (40°C) or 194°F (90°C) in the case of HE and HES hot water pumps:


Motor submersed: continuous operation S1
 Motor at the surface: short duration operation S2; see "Technical Data"
 Motor at the surface; intermittent operation S3; see "Technical Data"

The submersible pump is frost-resistant down to -20°C when stored in dry conditions. When installed, however, it must not be allowed to freeze in the water.

Transport

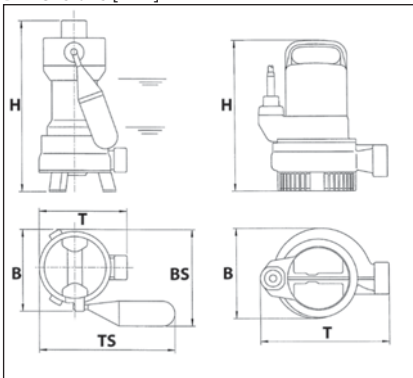


The pump must always be lifted by the handle and never by the power supply cable! The pump should only be lowered into deeper chambers or pits using a rope or chain.


DIN EN 12050-2 Wastewater lifting plants for faecal-free wastewater DN 40 and 50 See Technical Data for pumping capacity Noise emission value < 70 dB(A) Corrosion protection – synthetic resin coating

Where no explosion protection is stipulated for the pumping of foul wastewater at the installation location, US pumps may also be used.

Dimensions [mm]



	H	W	T	BS	TS
US 62	380	190	210	225	325
US 73	380	195	210	230	325
US 75	395	200	230	240	335
US 102	410	190	210	225	325
US 103	410	195	210	230	325
US 105	425	200	230	240	335
US 151	360	220	310		
US 152	435	190	210	225	325
US 153	435	190	210	225	325
US 155	450	200	230	240	335
US 251	360	220	310		
US 253	400	190	280		

Pumps with special float assembly, mat. no. 17424

	H	BS	TS
US 62, US 73	380	255	280
US 75	395	205	290
US 102, US 103	410	255	280
US 105	425	265	290
US 152, US 153	435	255	280
US 155	450	205	290

Switching points On - Off for an attached control

	●	○	●	○
US 62, US 73	240	125	155	105
US 75	255	140	170	120
US 102, US 103	270	155	185	135
US 105	285	170	200	150
US 152, US 153	295	180	210	160
US 155	310	195	225	175

Electrical connection



Only qualified electricians may carry out electrical works to the pump or the controls.

The relevant standards (such as EN standards), country-specific regulations (such as VDE in Germany), and the regulations of the local power supply companies must be observed.

Attention ! Never put the mains plug or a free lead end in water! If water gets into the plug, this can cause malfunctions and damage.

The pump is provided with a winding thermostat. In case of unacceptably high temperatures it switches off the pump to protect it against possible damage. Unacceptably high temperatures may result e.g. from dry running or mechanical or electrical overload.



The pump is switched on again automatically after cooling down - risk of injury! For this reason, always disconnect the device from the mains before remedying the fault! In order to do this, unplug the pump from the mains supply or remove the pre-fuses of the pump controls!

US 62 to US 105

Observe the operating voltage (see the type plate)! Only connect the pump to sockets that have been installed properly in accordance with the regulations and are fitted with a 16 A (delay) fuse.

Pumps without built-in level control can also be operated automatically through the use of our level controls. Our ready to connect level controls can be installed without specific electrotechnical skills.

US 151 to US 253

Observe the operating voltage (see the type plate)! Only connect the pump to sockets that have been installed properly in accordance with the regulations and are fitted with a 16 A (delay) fuse.

The pump must only be operated with the standard motor protection plug. Models without motor protection plug must only be operated using the level controls with integrated motor protection that are approved by JUNG PUMPEN. These pumps must be connected by a qualified electrician.

The overload protection (only for D and DS) must be set to the nominal current of the pump (see type plate) + 10%. If the motor protection plug or the level control require to be opened in order to reset or set the overload protection, this must only be done by a qualified electrician!



Disconnect the device or the pump from the power supply before opening!

If there is a blockage in the pump, the overload protection may be triggered. After rectifying the fault the "reset" button on the motor protection plug must be pressed to switch the pump on again. Pumps which are operated with a separate level control have the overload protection in the level control.

Rotational direction

The rotational direction must be checked before installation! If the rotational direction is correct, the start-up jolt should be in the opposite direction to the rotational direction arrow on the motor housing. The wrong rotational direction is also indicated if the pump performs inadequately when installed, or if loud noises can be heard during operation. If the rotational direction is wrong, 2 phases of the supply cable must be swapped over.



The start-up jolt can be very forceful.

Installation

The pump must be installed as shown in the examples. For installations in accordance with DIN EN 12056-4, the pressure pipe must be laid in a loop above the local backflow level and protected with a backflow prevention valve.

A correspondingly larger diameter pipe should be used for longer pressure pipelines to avoid pipe friction losses.

In contrast to pumps with built-in level control, the ON and OFF switching heights of pumps without built-in level control are variable by the use of a separate level control.

Permanent venting of the ring housing may be necessary if the pump runs dry from time to time (pressure outlet surfaced). This can occur for example if the residual water in the collecting chamber evaporates or if the pump runs in "snore" mode during the test run.

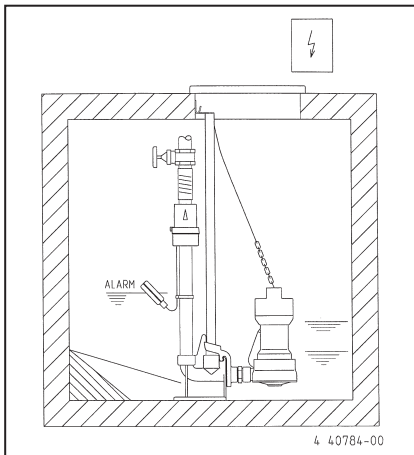
To vent the pump housing on pumps US 151, US 251 and US 253 the pressure pipe must be drilled above the pressure outlet to provide a 6 mm drill-hole. On all other pumps, the M8 hexagon socket screw under the (brass) oil screw must be removed.

Attention! If the pump is malfunctioning, part of the contents of the oil reservoir could escape into the pumping medium.

Dimensions of sump

Single installation with pump base: 40 x 50 cm
Single installation with guide rail system: 40 x 70 cm
Duplex installation: 70 x 70 cm

Example of installation with guide rail system for pumping stations at a permanent location.

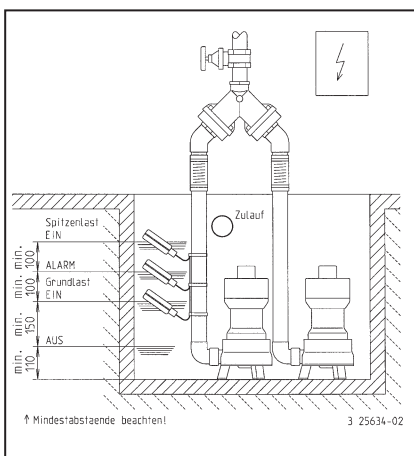


Installation: Fix the coupling base firmly to the floor of the collection chamber using wall plugs and then mount the guide rail. Next, install the pressure pipe including the necessary fittings, such as the non-return valve and shut-off valves.

Finally, fit the pump with the screwed-on coupling catch onto the guide rail and lower it into place using a chain fixed to the handle.

Pump	ON	OFF	ALARM
US 62 and 73	265	150	> 385
US 102 and 103	295	180	> 415
US 75	260	145	> 380
US 105	290	175	> 410
US 155	315	200	> 435
US 152 and 153	320	205	> 440
US 151 and 251	> 270	> 120	> 370
US 253	> 270	> 120	> 370

Example of installation with pump base



Attention! The floats of the level control and alarm system are installed so that they are freely movable but not under the inlet. Please observe the minimum distances. The controls must only be installed in a dry and well ventilated room!

Mobile operation

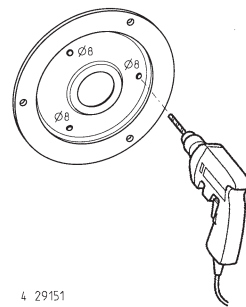
For safety reasons, mobile operation is only allowed with a foot strainer. In the case of pumps without a standard foot strainer, a separate foot strainer must be ordered (mat. no. 25135) and fitted under the pump in place of the three base feet.

If a hose is used as a pressure line, care must be taken to ensure that for every pumping operation the hose is completely empty before the pump is submersed. Any residual liquid would obstruct the ventilation of the pump housing and therefore also hinder the pumping operation. For the same reason, the pump would not operate if it was switched on before being submersed.

Flushing device

(not applicable for US 151 and US 251).

The pump can keep the intake section at the bottom of the chamber clear of deposits to a large extent if you carry out a small modification. This reduces the performance of the pump only insignificantly.



This modification is carried out as follows: Detach the foot strainer or the 3 base feet and remove the cover. Carefully drill a hole into the 3 markings with the $\varnothing 8$ symbols. Deburr the drill-holes. Re-attach the cover with the round sealing ring and the foot strainer or base feet.

the cover with the round sealing ring and the foot strainer or base feet.

Maintenance

We recommend that you service the equipment in accordance with EN 12056-4 and EN 60074-19.

To ensure continued reliability of service, we recommend that you take out a service contract.



Before carrying out any works: disconnect the pump and the controls from the mains and take steps to ensure that no one else can reconnect them to the power supply.



Check the rubber hose for mechanical or chemical damage. A damaged or kinked hose must be replaced.



When using a chain to lift the pump, please observe the relevant national regulations regarding accident pre-

vention. Lifting gear must be checked regularly by an expert in accordance with the legal regulations.

Oil check

The oil reservoir is sealed on the outside with a brass screw. In order to check the mechanical seal, the oil, including any residue, must be drained from the oil reservoir and collected in a clean measuring container.

- If the oil is contaminated with water (milky), an oil change must be carried out. Check again after a further 300 operating hours, but at the very latest after 6 months!
- However, if the oil is contaminated with both water and pollutants, then not only the oil must be replaced, but the mechanical seal as well.

For monitoring the oil reservoir, it is also possible to retrofit the electrode of our "DKG" seal leak control device in place of the brass screw on the oil reservoir.

Changing the oil

To ensure operational reliability, the first oil change should be carried out after 300 operating hours, with further oil changes carried out after every 1000 operating hours.

If the number of operating hours is very low, an oil change should still be carried out at least once a year.

If wastewater with strongly abrasive constituents is being pumped, the oil changes should be carried out at correspondingly shorter intervals.

Use HLP hydraulic mineral oil, viscosity class 22 to 46, e.g. Mobil DTE 22, DTE 24, DTE 25, to replace the oil in the oil reservoir.

The quantity of oil required is 700 cm³ for the US 253, 500 cm³ for the US 251 and US 251 and 300 cm³ for all other US pumps.

Attention! The oil reservoir must only be filled with the specified quantity of oil. Overfilling will result in the pump being rendered inoperable.

Cleaning

The foot strainer prevents coarse impurities from entering the pump. Regular cleaning of the float and the foot strainer ensures optimum performance and operation.

To clean the impeller in the event of an obstacle or blockage, the hexagon socket screws on the underside of the pump must be removed and the foot strainer or cover must be levered off. On pumps with a 10 mm free passage, the wear plate must be removed. The impeller can now be cleaned.



Worn impellers can have sharp edges.

Tightening torque M_A for A2 screw materials

for M 6 $M_A = 8 \text{ Nm}$

for M 8 $M_A = 20 \text{ Nm}$

for M 10 $M_A = 40 \text{ Nm}$

for M 12 $M_A = 70 \text{ Nm}$

Quick tips for remedying faults

No pump operation

- Check mains current (do not use a pin gauge)
- Fuse faulty = may be too weak (please refer to Electrical Connection)
- Mains supply cable damaged = repair to be carried out by manufacturer only

Pump runs but does not pump

- Empty the pressure pipe or hose to allow the non-return valve to open and the air to escape from the pump housing.

Impeller blocked

- Solids and fibrous matter have become lodged in the pump housing = clean

Decreased pumping performance

- Pump housing obstructed = clean
- Impeller worn = replace
- Wrong direction of rotation (for a three-phase current) = ask a qualified electrician to change 2 phases of the supply line

Consignes de sécurité

Ces instructions de service contiennent des informations essentielles à respecter lors de l'installation, de la mise en service et de la maintenance.

Il est impératif que le monteur et l'exploitant/ le personnel qualifié concernés lisent les instructions de service avant le montage et la mise en service.

Les instructions doivent toujours être disponibles sur le lieu d'utilisation de la pompe ou de l'installation.

Le non respect des consignes de sécurité peut entraîner la perte de tous les droits à réparation du dommage.

Identification des consignes

Dans ces instructions de service, les consignes de sécurité sont identifiées de manière particulière par des symboles.



Risque d'ordre général pour les personnes



Avertissement contre la tension électrique

ATTENTION ! Danger pour la machine et le fonctionnement

Qualification du personnel

Le personnel pour le maniement, la maintenance, l'inspection et le montage doit posséder la qualification nécessaire à ce type de travaux et il doit s'être suffisamment bien informé par une étude approfondie des instructions de service.

Domaine de responsabilité, l'exploitant doit régler avec précision la compétence et le contrôle du personnel.

Si le personnel ne possède pas les connaissances nécessaires, il est impératif de le former et de l'instruire.

Travailler en étant soucieux de la sécurité

Il est impératif de respecter les consignes de sécurité, les règlements nationaux en vigueur concernant la prévention des accidents et les prescriptions internes éventuelles de travail, de service et de sécurité contenus dans ces instructions.

Consignes de sécurité pour l'exploitant/ l'utilisateur

Les directives légales, les règlements locaux et les directives de sécurité doivent être respectés.

Il faut exclure les risques dus à l'énergie électrique.

Les fuites de matières dangereuses à refouler (explosives, toxiques ou brûlantes par exemple) doivent être évacuées de telle sorte qu'elles ne

représentent aucun danger pour les personnes et l'environnement. Les directives légales en vigueur sont à respecter.

Consignes de sécurité pour le montage, les travaux d'inspection et de maintenance

D'une manière générale, les travaux à effectuer devront l'être exclusivement sur une machine à l'arrêt. Les pompes ou agrégats refoulant des matières dangereuses pour la santé doivent être décontaminés.

Directement après la fin des travaux, tous les dispositifs de sécurité et de protection doivent être remis en place ou en service. Leur efficacité est à contrôler avant la remise en service et en tenant compte des directives et règlements en vigueur.

Transformation et fabrication de pièces détachées sans concertation préalable

Une transformation ou une modification de la machine est uniquement autorisée après consultation du fabricant. Les pièces détachées d'origine et les accessoires autorisés par le fabricant servent à la sécurité. L'utilisation d'autres pièces peut annuler la responsabilité quant aux conséquences en résultant.

Formes de service interdites

La sécurité d'exploitation de la machine livrée est uniquement garantie lors d'une utilisation conforme. Il est absolument interdit de dépasser les valeurs limites indiquées au chapitre « Caractéristiques technique ».

Consignes concernant la prévention des accidents

Avant les travaux de montage ou de maintenance, barrer la zone de travail et contrôler le parfait état de l'engin de levage.

Ne jamais travailler seul et utiliser un casque, des lunettes protectrices et des chaussures de sécurité, ainsi qu'en cas de besoin, une ceinture de sécurité adaptée.

Avant d'effectuer des soudures ou d'utiliser des appareils électriques, vérifiez l'absence de risque d'explosion.

Les personnes travaillant dans des infrastructures d'assainissement doivent être vaccinées contre les agents pathogènes pouvant éventuellement s'y trouver. D'autre part, veiller scrupuleusement à l'hygiène, par égard pour votre santé.

Assurez-vous qu'aucun gaz toxique ne se trouve dans la zone de travail.

Respectez les règlements concernant la sécurité de travail et gardez le nécessaire de premier secours à portée de main.

Dans certains cas, la pompe et le produit peuvent être brûlants, il y a alors risque de brûlure.

Des règles spéciales entrent en vigueur pour les installations dans les secteurs à risque d'explosion!

Utilisation

Les pompes à moteur submersibles de la série US conviennent au refoulement des eaux usées domestiques sans pierre.

Lors de l'utilisation des pompes, il est nécessaire d'observer les différentes lois nationales, les directives ainsi que les dispositions locales, comme par ex.

- les eaux usées et eaux chargées domestiques (par ex. en Allemagne DIN 1986 partie 3)
- la réalisation d'installations à basse tension (par ex. en Allemagne VDE 0100)

Il est nécessaire d'observer des directives supplémentaires pour des conditions d'utilisation différentes (par ex. en Allemagne VDE 0100, partie 701 : salles de bains et de douche, partie 702 : bassins de natation et fontaines et partie 737 : à l'air libre).

Modes de fonctionnement

pour une température de 40°C des matières à pomper ou de 90°C avec les pompes pour eaux chaudes HE et HES :

Moteur immergé : fonctionnement permanent S1

Moteur remonté : fonctionnement de courte durée S2,

cf. caractéristiques techniques

Moteur remonté : service discontinu S3, cf. caractéristiques techniques

Lors d'un stockage au sec, la pompe submersible résiste au gel jusqu'à -20°C. Montée, elle ne doit cependant pas geler dans l'eau.

Transport

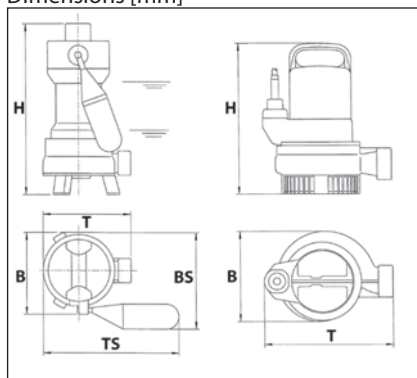


La pompe doit en principe être soulevée par la poignée de transport et non par le câble d'alimentation ! L'immersion de la pompe dans des cuves ou fosses plus profondes ne doit être effectuée qu'avec une corde ou chaîne.

CE
DIN EN 12050-2 Poste de relevage pour eaux usées sans matières fécales DN 40 et 50 Effet de relevage, cf. caractéristiques techniques Valeur d'émission sonore < 70 dB(A) Protection anti-corrosion - laque syn- thétique

Les pompes US peuvent également être utilisées là où il n'est pas nécessaire d'avoir une protection antidéflagrante pour le refoulement de matières fécales.

Dimensions [mm]



	H	B	T	BS	TS
US 62	380	190	210	225	325
US 73	380	195	210	230	325
US 75	395	200	230	240	335
US 102	410	190	210	225	325
US 103	410	195	210	230	325
US 105	425	200	230	240	335
US 151	360	220	310		
US 152	435	190	210	225	325
US 153	435	190	210	225	325
US 155	450	200	230	240	335
US 251	360	220	310		
US 253	400	190	280		

Pompes avec flotteur spécial, n° réf. 17424

	H	BS	TS
US 62, US 73	380	255	280
US 75	395	205	290
US 102, US 103	410	255	280
US 105	425	265	290
US 152, US 153	435	255	280
US 155	450	205	290

Hauteurs d'enclenchement Marche-Arrêt avec commande intégrée

	●	○	●	○
US 62, US 73	240	125	155	105
US 75	255	140	170	120
US 102, US 103	270	155	185	135
US 105	285	170	200	150
US 152, US 153	295	180	210	160
US 155	310	195	225	175

Installation électrique



Tous les travaux de nature électrique sur la pompe ou l'unité de commande doivent être confiés à un électricien confirmé.

Il est nécessaire de tenir compte, à chaque fois, des normes en vigueur (par ex. EN), des directives spécifiques au pays (par ex. VDE) ainsi que des directives de l'opérateur local du réseau d'alimentation.

ATTENTION ! Ne jamais mettre la fiche de protection du moteur, la prise secteur ou l'extrémité de câble libre dans l'eau ! L'eau qui est susceptible de s'infiltrer peut causer des endommagements.

La pompe est équipée d'un thermostat à enroulement qui arrête la pompe en cas de températures élevées non autorisées avant que celle-ci ne puisse être endommagée. Des températures élevées non autorisées peuvent être notamment causées par une marche à sec ou une surcharge mécanique ou électrique.



Une fois refroidie, la pompe redémarre de façon automatique - attention au risque de blessures !

C'est pourquoi, il faut toujours mettre la pompe hors tension avant de remédier au problème ! Pour cela, retirer la fiche de la prise de courant ou ôter les fusibles de puissance de l'unité de commande de la pompe !

US 62 jusqu'à US 105

Observer la tension de service (cf. plaque signalétique) ! La pompe doit uniquement être connectée à des prises de courant installées de façon réglementaire qui sont protégées par un fusible à action retardée de 16 A.

Les pompes sans commande automatique peuvent être également utilisées de façon automatique grâce à l'utilisation de nos unités de commande. Il est possible d'installer nos régulateurs de niveau prêts à brancher sans connaissance particulière en électrotechnique.

US 151 jusqu'à US 253

Observer la tension de service (cf. plaque signalétique) ! La pompe doit uniquement être connectée à des prises de courant installées de façon réglementaire qui sont protégées par un fusible à action retardée de 16 A.

La pompe doit uniquement être employée avec une fiche standard de protection du moteur. Les modèles sans fiche de protection du moteur doivent uniquement être utilisés avec les unités de commande approuvées par JUNG PUMPEN avec une protection moteur intégrée. Ces pompes doivent être connectées par un électricien.

La protection à maximum de courant (uniquement pour D et DS) doit être réglée sur le courant nominal de la pompe (cf. plaque signalétique) + 10 %. Seul un électricien peut ouvrir la fiche de protection de moteur ou l'unité de commande si cela est nécessaire pour la réinitialisation ou le réglage de la protection à maximum de courant !



Avant de l'ouvrir, il est nécessaire de mettre l'appareil et le poste hors tension !

Un blocage de la pompe peut causer un déclenchement de la protection à maximum de courant. Après avoir éliminé la cause de la panne, il est nécessaire d'activer le bouton "Reset" de la fiche de protection du moteur pour réenclencher la pompe. Pour les pompes qui sont contrôlées par une unité de commande séparée, la protection à maximum de courant se trouve dans l'unité de commande.

Sens de rotation

Il est nécessaire d'observer le sens de rotation avant le montage ! Avec le bon sens de rotation, la réaction au démarrage a lieu en sens inverse de la flèche sur la carcasse du moteur. D'importants bruits de fonctionnement ou une performance trop faible de la pompe déjà montée indiquent également un sens de rotation inversé. En cas de sens de rotation inversé, il est nécessaire d'échanger 2 phases du câble d'alimentation



La réaction au démarrage peut avoir lieu avec une grande force.

Installation

La pompe doit être montée selon les exemples. En cas d'installations selon DIN EN 12056-4, la conduite de refoulement doit être dirigée, en tant que boucle, au-dessus du niveau de retenue fixé localement et elle doit être protégée par un clapet de retenue

En cas d'une plus longue conduite de refoulement, il est nécessaire de choisir, en conséquence, une section transversale tubulaire supérieure afin d'éviter les pertes de charge.

A l'inverse des pompes disposant d'une commande automatique, les hauteurs d'enclenchement et d'arrêt pour les pompes sans commande automatique sont variables grâce à l'utilisation d'un régulateur de niveau séparé.

Une aération permanente du corps annulaire peut se révéler nécessaire si la pompe tombe assez souvent à sec (le raccord du tuyau de refoulement fait surface). Cela se passe par exemple si l'eau résiduelle dans la chambre collectrice s'évapore ou si la pompe s'est mise à fonctionner avec trop peu de fluide lors de la marche d'essai.

Pour une aération en toute sécurité de la carcasse des pompes US 151, US 251 et US 253, un trou de 6 mm est percé dans la conduite de refoulement au-dessus du raccord du tuyau de refoulement. Pour toutes les autres pompes, la vis à six pans creux M8 doit être dévissée en-dessous de la vis d'huile (laiton).

ATTENTION ! En cas d'une pompe défectueuse, il est possible qu'une partie du contenu de la chambre à huile s'échappe dans le liquide pompé.

Dimensions de la cuve

Poste individuel avec piètement :

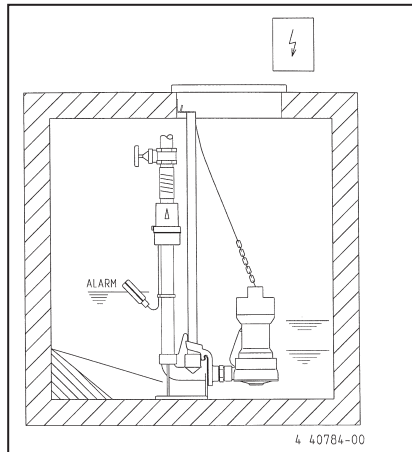
40 x 50 cm

Poste individuel avec barre de guidage :

40 x 70 cm

Poste double : 70 x 70 cm

Exemple de montage avec barre de guidage pour stations de pompage fixes

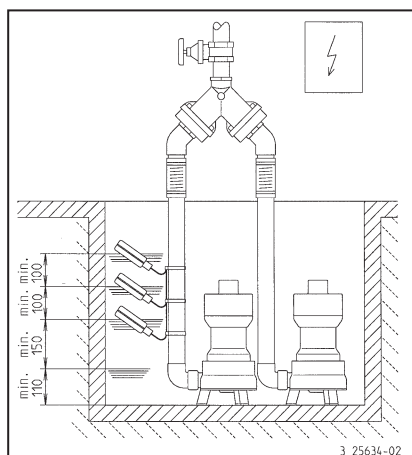


Montage : Cheviller fermement le pied d'assise au sol de la chambre collectrice et monter la barre de guidage. Monter ensuite la conduite de refoulement y compris les armatures nécessaires comme le clapet anti-retour et la vanne d'arrêt.

Puis fixer la pompe sur la barre de guidage avec la griffe d'accouplement vissée et abaisser la pompe avec la chaîne fixée à la poignée de transport.

Pompe	MARCHE	ARRÊT	ALARME
US 62 et 73	265	150	> 385
US 102 et 103	295	180	> 415
US 75	260	145	> 380
US 105	290	175	> 410
US 155	315	200	> 435
US 152 et 153	320	205	> 440
US 151 et 251	> 270	> 120	> 370
US 253	> 270	> 120	> 370

Exemple de montage avec pied



ATTENTION ! Les flotteurs du dispositif d'alarme et du commutateur de niveau sont montés de façon mobile, cependant

pas sous l'amenée. Veuillez observer les écarts minimum. Installer l'unité de commande dans une pièce sèche et bien ventilée !

Fonctionnement mobile

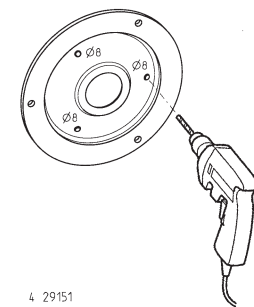
Un fonctionnement mobile est autorisé uniquement avec un pied perforé pour des raisons de sécurité. Pour les pompes sans pied perforé en standard, il est nécessaire de commander un pied perforé à part (n° réf. 25135) et de le monter à la place des trois pieds sous la pompe.

Si un tuyau flexible sert de conduite de refoulement, il est nécessaire de veiller, lors de chaque pompage, à ce que celui-ci soit entièrement vidé avant l'immersion de la pompe. Le liquide qui resterait éventuellement dans le tuyau empêcherait la ventilation de la carcasse de pompe et ainsi le refoulement. C'est pour la même raison que la pompe déjà enclenchée avant l'immersion ne va pas refouler.

Prise de rinçage

(pas pour US 151 and US 251).

La pompe peut considérablement empêcher la présence de dépôts dans le fond de la cuve dans la zone d'aspiration si vous effectuez une légère modification. La performance de la pompe ne diminue que légèrement.



Modification à réaliser :

Démonter le pied perforé ou les 3 pieds et retirer le couvercle. Percer et ébavurer avec précaution les trois marquages caractérisés par \varnothing

8. Puis remonter le couvercle avec le joint torique d'étanchéité et le pied perforé ou les 3 pieds.

Maintenance

Nous recommandons de réaliser la maintenance conformément à EN 12056-4 et EN 60074-19.

Afin d'assurer une sécurité de fonctionnement durable de votre poste, nous vous recommandons de conclure un contrat de maintenance.



Avant chaque intervention : mettre la pompe et l'unité de commande hors tension et s'as-

surer qu'elles ne peuvent pas être remises sous tension par d'autres personnes.



Vérifier si le câble souple en caoutchouc ne présente aucun endommagement mécanique et chimique. Les câbles endommagés et pliés doivent être remplacés.



Lors de l'utilisation d'une chaîne pour le levage de la pompe, veuillez observer les règlements nationaux respectifs de prévention des accidents. Il est nécessaire de faire contrôler les appareils de levage de façon régulière par un expert conformément aux directives légales.

Contrôle de l'huile

La chambre à huile a une vis en laiton qui assure l'étanchéité vers l'extérieur. Afin de contrôler la garniture mécanique d'étanchéité, l'huile de la chambre à huile, y compris la quantité résiduelle, est vidée et recueillie dans un gobelet de mesure propre.

- Si l'huile est chargée d'eau (aspect laiteux), il est nécessaire de la changer. Contrôler à nouveau après 300 heures de fonctionnement, mais au maximum au bout de 6 mois !
- Si cependant l'huile est chargée d'eau et d'impuretés, il est nécessaire de changer également la garniture mécanique d'étanchéité en plus de l'huile.

Il est possible de monter, aussi ultérieurement, l'électrode de notre appareil de contrôle d'étanchéité "DKG" (n° réf. 252) à la place de la vis en laiton de la chambre à huile pour surveiller cette dernière.

Changement de l'huile

Pour un maintien de la sécurité de fonctionnement, il est nécessaire de réaliser un premier changement d'huile après 300 heures de fonctionnement et les autres changements d'huile au bout de 1000 heures de fonctionnement à chaque fois.

En cas d'un nombre plus faible d'heures de fonctionnement, il est nécessaire d'effectuer un changement d'huile au moins une fois par an.

Si la pompe refoule des eaux usées avec des impuretés très abrasives, il est nécessaire de prévoir les changements d'huile à des intervalles plus courts.

Pour le changement du contenu de la chambre à huile, il est nécessaire d'utiliser une huile minérale pour hydraulique HLP avec une viscosité de 22 à 46 comme par exemple Mobil DTE 22, DTE 24, DTE 25.

La quantité de remplissage est de 700 cm³ pour la US 253, 500 cm³ pour la US 151 et

US 251 et 300 cm³ pour toutes les autres pompes US.

ATTENTION ! La chambre à huile doit uniquement être remplie avec la quantité indiquée. Si elle est trop remplie, cela risque de détruire la pompe.

Nettoyage

Le pied perforé empêche les grosses impuretés de pénétrer dans la pompe. Un nettoyage régulier assure la performance possible maximale.

Pour le nettoyage de la roue à aubes en cas de blocage ou d'obstruction, les vis à six pans creux de la partie inférieure de la pompe sont dévissées et le pied perforé ainsi que le couvercle enlevés. Pour les pompes avec un passage libre de 10 mm, il est nécessaire de tirer également la plaque d'usure. Il est maintenant possible de procéder au nettoyage de la roue à aubes.



Les roues à aubes usées peuvent avoir des bords tranchants.

Couple de serrage M_A pour matériau de vis A2

pour M 6	$M_A = 8 \text{ Nm}$
pour M 8	$M_A = 20 \text{ Nm}$
pour M 10	$M_A = 40 \text{ Nm}$
pour M 12	$M_A = 70 \text{ Nm}$

Petite aide au dépannage

La pompe ne tourne pas

- Vérifiez la tension secteur (ne pas utiliser de pointe de test)
- Fusible défectueux = éventuellement pas assez puissant (cf. Installation électrique)
- Câble d'alimentation endommagé = réparation uniquement par le fabricant

La pompe tourne, mais ne refoule pas

- Vider la conduite de refoulement ou le flexible pour que le clapet anti-retour s'ouvre et l'air puisse s'échapper de la carcasse de la pompe.

Roue à aubes bloquée

- Des matières solides et fibreuses se sont accumulées dans la carcasse de la pompe = nettoyer

Rendement de refoulement diminué

- Carcasse de la pompe obstruée = nettoyer
- Roue à aubes usée = remplacer
- Sens de rotation inversé en courant triphasé = faire échanger 2 phases du câble d'alimentation par un électricien

Veiligheidstips

Deze handleiding bevat basisinformatie die bij installatie, bediening en onderhoud in acht moet worden genomen. Het is belangrijk ervoor te zorgen dat deze handleiding voorafgaande aan de installatie en ingebruikname door de monteur en het verantwoordelijke personeel/eigenaar wordt gelezen. De handleiding moet steeds beschikbaar zijn op de plaats waar de pomp of de installatie zich bevindt.

Bij het niet opvolgen van de veiligheidsinstructies kan de aanspraak op schadevergoeding vervallen.

In deze handleiding zijn de veiligheidsinstructie extra aangegeven met symbolen. Het niet opvolgen kan tot gevaarlijke situaties leiden..



Algemeen gevaar voor personen



Waarschuwing voor elektrische spanning

LET OPI! Gevaar voor machine en functioneren

Personeelskwalificatie

Het personeel voor bediening, onderhoud, inspectie en montage moet gekwalificeerd zijn voor dit werk en zichzelf door een grondige bestudering van de handleiding voldoende geïnformeerd. Verantwoordelijkheidsgebied, competentie en toezicht op het personeel moeten goed geregeld door de eigenaar. Als het personeel niet over de nodige kennis beschikt, dan moet het worden opgeleid en geïnstrueerd.

Veilig werken

De veiligheidsinstructies in deze gebruikshandleiding, de bestaande nationale regelgeving voor de preventie van ongevallen, evenals interne arbeids-, gebruiks- en veiligheidsvoorschriften moeten in acht worden genomen.

Veiligheidsinstructies voor de gebruiker/eigenaar

Er moet worden voldaan aan wettelijke eisen, lokale regelgeving en veiligheidseisen.

Risico's door elektrische energie moeten worden uitgesloten.

Gemorste gevaarlijke afvoerproducten (bijv. explosief, giftig, heet) moet zodanig worden verwijderd dat er geen gevaar optreedt voor mens en milieu. De wettelijke bepalingen moeten in acht worden genomen.

Veiligheidsinstructies voor montage, inspectie en onderhoudswerkzaamheden

In principe moeten werkzaamheden aan de machine alleen worden uitgevoerd bij stilstand. Pompen of aggregaten die stoffen afvoeren die gevaarlijk zijn voor de gezondheid, moeten worden ontsmet.

Onmiddellijk na de voltooiing van de werkzaamheden moeten alle veiligheids- en beschermingsvoorzieningen weer worden geïnstalleerd of in werking gezet. Hun functioneren moet voorafgaande aan de ingebruikname worden gecontroleerd conform de geldende regels en voorschriften. **Eigenmachtige modificaties en vervaardiging van onderdelen**

Wijziging of aanpassing van de machine is alleen toegestaan na overleg met de fabrikant. Originele reserveonderdelen en accessoires door de fabrikant zijn er voor de veiligheid. Het gebruik van andere onderdelen kan de aansprakelijkheid voor de gevolgen daarvan teniet doen.

Oneigenlijk gebruik

De betrouwbaarheid van de geleverde machine wordt alleen gegarandeerd bij juist gebruik. De aangegeven grenswaarden in het hoofdstuk "Technische gegevens" mogen in geen enkel geval worden overschreden.

Aanwijzingen voor het voorkomen van ongevallen

Voorafgaande aan montage- of onderhoudswerkzaamheden zet u de werkruimte af en controleert u het hijstoestel op onberispelijke werking.

Werk nooit alleen en gebruik een helm, een veiligheidsbril en veiligheidsschoenen en indien nodig een geschikt veiligheidsharnas.

Voordat u gaat lassen of elektrische apparatuur gaat gebruiken, moet u controleren of er geen explosiegevaar bestaat.

Wanneer mensen in afvalwaterinstallaties werken, moeten zij worden ingeënt tegen mogelijk daar aanwezige ziektekiemen. Let vanwege uw gezondheid ook heel goed op de hygiëne.

Zorg ervoor dat er geen giftige gasen in de werkruimte aanwezig zijn.

Neem de regels van de arbeidsinspectie in acht en zorg dat er eerste-hulpmateriaal beschikbaar is.

In sommige gevallen kunnen pompen en het af te voeren materiaal heet zijn, dan bestaat er kans op verbranding.

Voor installatie in explosiegevaarlijke gedeeltes zijn bijzondere voorschriften van toepassing!

Dit apparaat is niet bestemd om te worden gebruikt door mensen (met inbegrip van kinderen) met beperkte fysieke, zintuiglijke of geestelijke vermogens of gebrek aan ervaring en/of kennis, tenzij ze worden begeleid door een persoon die verantwoordelijk is voor hun veiligheid of van deze persoon instructies hebben gekregen hoe dit apparaat te gebruiken. Kinderen moeten begeleid worden om ervoor te zorgen dat ze niet met het apparaat gaan spelen.

Toepassing

Dompelmotorpompen uit de US-serie zijn geschikt voor de afvoer van huishoudelijk afvalwater zonder stenen.

Bij gebruik van de pomp moeten de respectieve nationale wettelijke en gemeentelijke voorschriften worden nageleefd, zoals bijvoorbeeld

- Huishoudelijk vuil water en afvalwater (bijv. in Duitsland DIN 1986 deel 3)
- Montage van laagspanningsinstallaties (bijvoorbeeld in Duitsland VDE 0100)

Bij afwijkende gebruiksomstandigheden moeten verdere voorschriften in acht worden genomen (bijvoorbeeld in Duitsland VDE 0100, deel 701: Bade- und Duschräume (bad- en doucheruimtes), deel 702: Schwimmbecken und Springbrunnen (zwembaden en fontein en deel 737: buiten).

Gebruikswijzen

bij een temperatuur van 40° C van het af te voeren materiaal en 90° C bij de heetwaterpompen HE und HES:

Motor gedompeld: Continugebruik S1

Motor uit het water gehaald: Kort gebruik S2; zie Technische gegevens


Motor uit het water gehaald: Uitschakelgebruik S3; zie Technische gegevens

Wanneer opgeslagen onder droge omstandigheden, is de pomp tot -20 °C tegen vorst beveiligd. Ingebouwd mag hij in het water echter niet bevriezen.

Transport

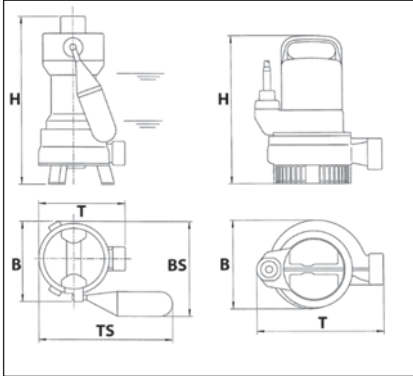


De pomp moet altijd aan de handgreep en niet aan de stroomkabel worden opgeheven! Het laten zakken van de pomp in diepere schachten of putten is alleen toegestaan met een touw of ketting.


<p>DIN EN 12050-2 Afvalwateroppompinstallatie voor fecaliënvrij afvalwater DN 40 en 50 Voor hijswerking zie technische gegevens Geluidsemissiewaarde <70 dB (A) Corrosiebescherming - kunstharlak</p>

Indien ter plaatse voor de afvoer van fecaliën geen explosiebeveiliging nodig is, kunnen ook US-pompen worden gebruikt.

Afmetingen [mm]



	H	B	T	BS	TS
US 62	380	190	210	225	325
US 73	380	195	210	230	325
US 75	395	200	230	240	335
US 102	410	190	210	225	325
US 103	410	195	210	230	325
US 105	425	200	230	240	335
US 151	360	220	310		
US 152	435	190	210	225	325
US 153	435	190	210	225	325
US 155	450	200	230	240	335
US 251	360	220	310		
US 253	400	190	280		

Pompen met speciale vlotters, Mat.nr. 17424

	H	BS	TS
US 62, US 73	380	255	280
US 75	395	205	290
US 102, US 103	410	255	280
US 105	425	265	290
US 152, US 153	435	255	280
US 155	450	205	290

Schakelhoogtes aan - uit bij gemonteerde schakeling

	●	○	●	○
US 62, US 73	240	125	155	105
US 75	255	140	170	120
US 102, US 103	270	155	185	135
US 105	285	170	200	150
US 152, US 153	295	180	210	160
US 155	310	195	225	175

Elektrische aansluiting



Alleen een professionele elektromonteur mag aan de pomp of regelaar werkzaamheden uitvoeren.

De van toepassing zijnde normen (bijv. EN), de land-specifieke wetgeving (bijvoorbeeld VDE) en de voorschriften van de plaatselijke netwerkexploitant moeten in acht worden genomen.

LET OP! Motorbeveiligingsstekker, netstekker of blootliggend kabeluiteinde nooit in het water leggen! Eventueel binnendringend water kan tot storingen leiden.

De pomp is uitgerust met een wikkelingsthermostaat, die bij ontoelaatbaar hoge temperaturen de pomp uitschakelt voordat deze kan worden beschadigd. Ontoelaatbaar hoge temperaturen kunnen bijvoorbeeld het resultaat zijn van droogloop of mechanische of elektrische overbelasting.



Na afkoeling schakelt de pomp automatisch weer in - kans op letsel! Daarom altijd de pomp spanningsloos maken voordat u de storingsoorzaak gaat verhelpen! Voor dit doel de stekker uit het stopcontact trekken of de zekeringen van de pompregelaar eruit draaien!

US 62 t/m US 105

Bedrijfsspanning in acht nemen (zie typeplaatje)! De pomp kan op volgens voorschrift geïnstalleerd contactdozen worden aangesloten die met 16 A (langzaam) zijn beveiligd.

Pompen zonder schakelmechanisme kunnen door het gebruik van onze regelaars ook automatisch worden bediend. Onze direct aansluitbare niveaugelaars kunnen zonder speciale elektrotechnische vaardigheden worden geïnstalleerd.

US 151 t/m US 253

Bedrijfsspanning in acht nemen (zie typeplaatje)! De pomp kan alleen worden aangesloten op contactdozen die volgens de voorschriften zijn geïnstalleerd en met 16 A (traag) beveiligd.

De pomp mag alleen worden gebruikt met de standaard motorbeveiligingsstekker. Versies zonder motorbeveiligingsstekker mogen alleen worden gebruikt met door JUNG PUMPEN vrijgegeven regelaars met geïntegreerde motorbeveili-

ging. Deze pompen moeten worden aangesloten door een elektromonteur

De overstroombeveiliging (alleen bij D en DS) moet worden ingesteld op de nominale stroom van de pomp (zie typeplaatje) + 10%. Moet voor het terugzetten of instellen van de overstroombeveiliging de motorbeveiligingsstekker of de regelaar worden geopend, dan kan dit alleen worden gedaan door een erkend elektromonteur!



Voor het openen moet het apparaat of de installatie spanningsloos worden gemaakt!

Bij het blokkeren van de pomp kan de overstroombeveiliging worden geactiveerd. Na het opheffen van de storingsoorzaak moet voor het opnieuw inschakelen van de pomp de "reset-knop" van de motorbeveiligingsstekker worden ingedrukt. Voor pompen die worden bediend met een aparte regelaar, bevindt de overstroombeveiliging zich in de regelaar.

Draairichting

Voorafgaande aan de montage moet de draairichting worden gecontroleerd! Bij de juiste draairichting loopt de aanloopruk tegengesteld aan de richting van pijlen op het motorhuis. Lawaai of een te laag pompvermogen van de reeds ingebouwde pomp wijzen ook op een verkeerde draairichting. Bij een verkeerde draairichting moeten 2 fasen van de voedingskabel worden verwisseld.



De aanloopruk kan met grote kracht plaatsvinden.

Inbouw

Die pomp moet conform de voorbeelden worden ingebouwd. Bij installaties conform DIN EN 12056-4 moet de drukleiding als lus over het plaatselijke geldende opstuwniveau worden geleid en beveiligd met een terugstroombeveiliging.

Bij een langere drukleiding moet ter voorkoming van pijpwrijvingsverliezen, een dienovereenkomstig grotere buisdiameter worden geselecteerd.

In tegenstelling tot de pompen met een automatische schakeling zijn bij pompen zonder automatische schakeling door toepassing van een aparte niveaugelaar de in- en uitschakelhoogtes variabel.

Een permanente ontluchting van de ring-behuizing kan nodig zijn als de pomp vaak droog valt (de uitstroomtuit komt bloot te liggen). Dit gebeurt bijvoorbeeld als het resterende water in de verzamelput verdampft of de pomp is tijdens de testloop begint te slurpen.

Voor de veilige ontluchting van het pomphuis van de pompen US 151, US 251 en US 253 wordt boven de uitstroomtuit een gat van 6 mm in de drukleiding geboord. Bij alle andere pompen moet de M8-zeskantschroef onder de olieschroef (messing) eruit worden gedraaid.

LET OP! Bij een defecte pomp kan een deel van de oliekamervulling in het af te voeren materiaal terecht komen.

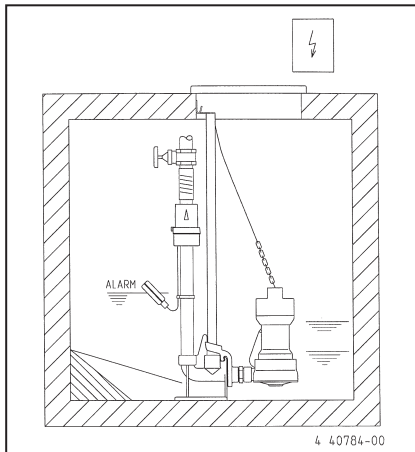
Schachtafmetingen

Enkelvoudige installatie met voet:
40 x 50 cm

Enkelvoudige installatie met glijdende
buis: 40 x 70 cm

Dubbele installatie: 70 x 70 cm

Inbouwvoorbeeld met verschuifbare
buis voor stationaire pompstations

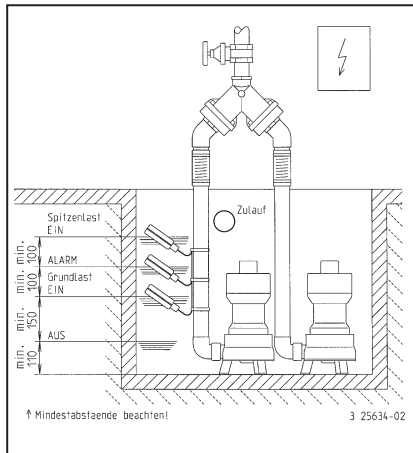


Montage: De koppelingsvoet stevig met pluggen op de bodem van de verzamelput vastzetten en vervolgens de schuivende buis monteren. Vervolgens de drukleiding met de nodige hulpstukken zoals terugslagklep en afsluiter monteren.

Tenslotte de pomp met de opgeschroefde koppelingsklauw op de glijdende buis zetten en laten zakken met een ketting die aan de kettingsluiting is bevestigd.

Pomp	AAN	UIT	ALARM
US 62 en 73	265	150	>385
US 102 en 103	295	180	>415
US 75	260	145	>380
US 105	290	175	>410
US 155	315	200	>435
US 152 en 153	320	205	>440
US 151 en 251	>270	>120	>370
US 253	>270	>120	>370

Inbouwvoorbeeld met voet



LET OP! De vlotters van de niveau- en alarmschakeling worden vrij beweegbaar ingebouwd, maar dit mag niet onder de inlaat. Neem de minimale afstanden in acht. De regelaar alleen in een droge en goed geventileerde ruimte installeren!

Mobiel gebruik

Mobiel gebruik mag om veiligheidsredenen alleen met een zeefvoet plaatsvinden. In het geval van pompen zonder de standaard zeefvoet moet een aparte zeefvoet worden besteld (Mat. nr. 25135) en in plaats van de drie voeten onder de pomp gemonteerd.

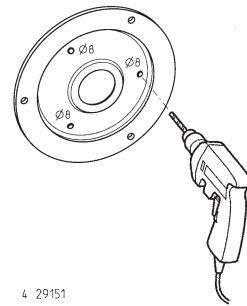
Wordt een slang als drukleiding gebruikt, zorg er dan voor dat deze bij elk pompproces vóór de onderdempeling van de pomp volledig leeg is. Eventuele achterblijvende vloeistoffen zouden de ontluchting van het pomphuis en dus de afvoer verhinderen. Om dezelfde reden voert een reeds vóór het onderdempelen ingeschakelde pomp niets af.

Spoelvoorziening

(niet bij US 151 en US 251).

De pomp kan de bodem van de schacht in het zuiggedeelte grotendeels vrijhouden

van afzettingen wanneer u een kleine verandering aanbrengt. De pompcapaciteit neemt daardoor slechts licht af.



Uit te voeren verandering: De zeefvoet of de 3 voetjes demonteren en het deksel verwijderen. De 3 met $\varnothing 8$ aangegeven marke-

ringen zorgvuldig openboren en ontbramen. Vervolgens het deksel met de ronde afdichting en de zeefvoet of voetjes weer monteren.

Onderhoud

Wij raden aan het onderhoud uit te voeren conform EN 12056-4 en EN 60074-19.

Om een permanente operationele betrouwbaarheid van uw installatie te garanderen, raden wij aan een onderhoudscontract te sluiten.



Voorafgaande aan elke taak: Pomp en regelaar van het elektriciteitsnet loskoppelen en ervoor zorgen dat deze door andere personen niet opnieuw onder spanning kunnen worden gezet.



De rubberen slang op mechanische en chemische beschadiging controleren. Beschadigde of geknikte slangen of leidingen moeten worden vervangen.



Bij gebruik van een ketting om de pomp op te tillen, dient u de respectieve nationale voorschriften ter voorkoming van ongevallen in acht te nemen. De hijsapparatuur moet regelmatig worden onderzocht door een deskundige conform de wettelijke voorschriften.

Oliecontrole

De oliekamer is met een messingschroef aan de buitenkant afgesloten. Ter controle van de oliekeerkringafdichting wordt de olie uit de oliekamer met inbegrip van de resterende hoeveelheid afgetapt en verzameld in een schone maatbeker.

- Als de olie doordrenkt is met water (melkachtig), moet de olie worden ververst. Na nog eens 300 bedrijfsuren, max. echter na 6 maanden, opnieuw controleren!

- Is de olie vermengd met water en verontreinigingen dan moet in aanvulling op de olie ook de oliekeerringafdichting worden vervangen.

Ter bewaking van de oliekamer kan ook achteraf de elektrode van ons afdichtingscontroleapparaat "DCT" (mat.nr. 252) in plaats van de messingschroef van de oliekamer worden gemonteerd.

Olieverversing

Ter behoud van een betrouwbare werking, moet na 300 bedrijfsuren de olie voor de eerste maal worden verversen en daarna na elke 1000 bedrijfsuren.

Bij minder bedrijfsuren moet ten minste eenmaal per jaar de olie worden verversd.

Wordt afvalwater met sterk schurende additieven afgevoerd, dan moet de olie met navenant kortere tussenpozen worden verversd.

Voor de verversing van de olie in de oliekamer moet hydraulische HLP-olie van viscositeitsklasse 22 tot 46 worden gebruikt, bijvoorbeeld Mobil DTE 22, DTE 24, DTE 25.

De vulhoeveelheid bedraagt 700 cm³ voor de US 253, 500 cm³ voor de US 151 en US 251 en 300 cm³ voor alle andere US-pompen.

LET OP! De oliekamer mag alleen worden gevuld met de aangegeven hoeveelheid olie. Teveel olie kan leiden tot defecten aan de pomp.

Reiniging

De zeefvoet voorkomt het binnendringen van grove verontreinigingen in de pomp. Regelmatig reinigen zorgt voor een maximale capaciteit.

Voor het reinigen van de waaier bij blokkering of verstopping worden de zeskantschroeven aan de onderzijde van de pomp losgeschroefd en de zeefvoet of het deksel eraf getild. Bij pompen met 10 mm vrije doorgang moet ook de slijtplaat worden losgetrokken. Nu kan de waaier worden gereinigd.



Versleten waaiers kunnen scherpe randen hebben.

Aantrekmomenten M_A voor schroefmateriaal A2

voor M 6 $M_A = 8 \text{ Nm}$

voor M 8 $M_A = 20 \text{ Nm}$

voor M 10 $M_A = 40 \text{ Nm}$

voor M 12 $M_A = 70 \text{ Nm}$

Beknopte hulp bij storingen

Pomp loopt niet

- De netspanning controleren (geen spanningzoeker gebruiken)
- Zekering defect = misschien te zwak (zie de elektrische aansluiting)
- Netkabel beschadigd = Reparatie alleen door de fabrikant

Pomp loopt, maar voert niets af

- Drukleiding of afvoerslang legen, zodat de terugslagklep zich opent en de lucht kan ontsnappen uit het pomphuis


Waaier geblokkeerd

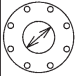
- Vaste stoffen en vezels hebben zich in het pomphuis vastgezet = reinigen


Verminderde capaciteit


- Pomphuis verstopt = reinigen
- Waaier versleten = vervangen
- Verkeerde draairichting = 2 fasen van de stroomkabel laten verwisselen door een erkend elektromonteur

Technical data • Caractéristiques techniques • Technische gegevens

		US 62 E / ES US 73 E / ES / H / HES	US 62 D / DS US 73 D / DS	US 102 E / ES US 103 E / ES / H / HES	US 102 D / DS US 103 D / DS
m	[kg]	12,6 / 12,7 12,4 / 12,5 / 12,4 / 12,5	12,8 / 12,9 12,6 / 12,7	14,3 / 14,4 14,0 / 14,1 / 14,0 / 14,1	14,3 / 14,4 14,6 / 14,7
 DN	[mm]	1 ½ "	1 ½ "	1 ½ "	1 ½ "
S2 / S3*		8 min / 10 %	8 min / 10 %	8 min / 10 %.	15 min / 15%
P1	[kW]	0,83	0,85	1,37	1,36
P2	[kW]	0,50	0,60	0,98	1,06
U	[V]	1/N/PE ~230	3/PE ~400	1/N/PE ~230	3/PE ~400
f	[Hz]	50	50	50	50
I	[A]	3,9	1,4	6,0	2,4

		US 75 E / ES	US 75 D / DS	US 105 E / ES	US 105 D / DS
m	[kg]	12,9 / 13,0	13,1 / 13,2	14,5 / 14,6	15,1 / 15,2
 DN	[mm]	2 "	2 "	2 "	2 "
S2 / S3*	S2	8 min / 10 %	8 min / 10 %	8 min / 10 %.	15 min / 15%
P1	[kW]	0,83	0,85	1,37	1,36
P2	[kW]	0,50	0,60	0,98	1,06
U	[V]	1/N/PE ~230	3/PE ~400	1/N/PE ~230	3/PE ~400
f	[Hz]	50	50	50	50
I	[A]	3,9	1,4	6,0	2,4

		US 151 E / ES	US 151 D / DS	US 152 E / ES US 153 E / ES	US 152 D / DS US 153 D / DS
m	[kg]	12,6 / 12,7 12,4 / 12,5 / 12,4 / 12,5	12,8 / 12,9 12,6 / 12,7	14,3 / 14,4 14,0 / 14,1 / 14,0 / 14,1	14,3 / 14,4 14,6 / 14,7
 DN	[mm]	2 "	2 "	1 ½ "	1 ½ "
S2 / S3*	S2	20 min / 25 %	25 min / 40 %	12 min / 10 %	15 min 10 %
P1	[kW]	1,68	1,60	1,60	1,70
P2	[kW]	1,19	1,30	1,21	1,41
U	[V]	1/N/PE ~230	3/N/PE ~400	1/N/PE ~230	3/N/PE ~400
f	[Hz]	50	50	50	50
I	[A]	7,6	3,0	7,5	3,1

		US 155 E / ES	US 155 D / DS	US 251 D / DS	US 253 D / DS
m	[kg]	16,0 / 16,3	16,5 / 17,2	27,5 / 29,5	26,5 / 28,0
	DN	2 "	2 "	2 "	2 "
	[mm]	50	50	10	40
S2 / S3*	S2	12 min / 10 %	15 min / 10 %	15 min / 25 %	15 min / 25 %
P1	[kW]	1,60	1,70	2,60	2,60
P2	[kW]	2,21	1,41	2,10	2,10
U	[V]	1/N/PE ~230	3/PE ~400	3/N/PE ~400	3/N/PE ~400
f	[Hz]	50	50	50	50
I	[A]	7,5	3,1	4,4	4,4

* Example for 40%: 4 min. operation and 6 min. rest (Cycle duration 10 min.)

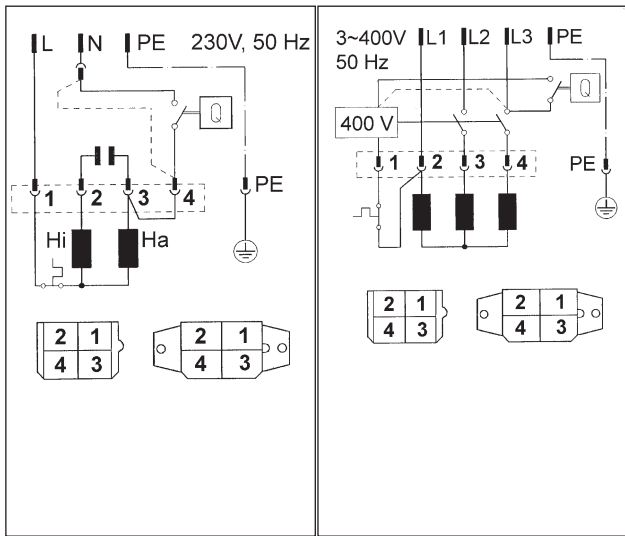
* Exemple: 40% = 4 min de service et 6 min de pause (Durée du jeu 10 min)

UAK models are not explosion protected
Les types UAK n'ont pas de protection antidéflagration

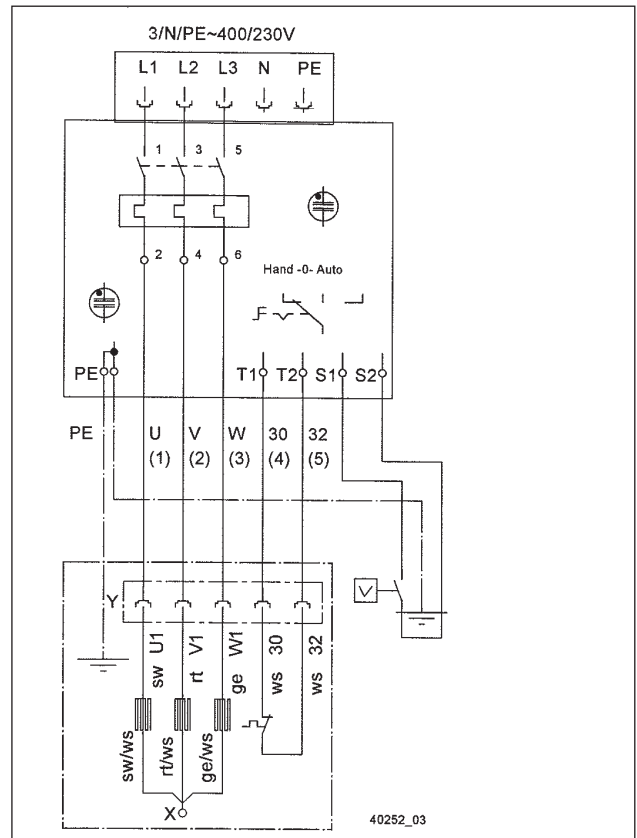
Performance • Puissances • Capacitéit

H [m]	1	2	3	4	5	6	7	8	9	10	11	12	14	16
	Q [m /h]													
US 62 E / ES	19	17	15	12	10	8	6	4	2					
US 62 D / DS	22	20	17	15	12	10	8	6	4					
US 102 E / ES	28	26	23	21	19	17	15	12	10	8	5	2		
US 102 D / DS	28	26	23	21	19	17	15	12	10	8	5	2		
US 152 E / ES	30	29	27	24	22	20	18	15	13	11	8	6		
US 152 D / DS	31	30	28	26	23	21	19	17	14	12	10	8		
US 73 E / ES	19	17	15	12	10	8	6	4	2					
US 73 HE / HES	19	17	15	12	10	8	6	4	2					
US 73 D / DS	22	20	17	15	12	10	8	6	4					
US 103 E / ES	28	26	23	21	19	17	15	12	10	8	5	2		
US 103 HE / HES	28	26	23	21	19	17	15	12	10	8	5	2		
US 103 D / DS	28	26	23	21	19	17	15	12	10	8	5	2		
US 153 E / ES	30	29	27	24	22	20	18	15	13	11	8	6		
US 153 D / DS	31	30	28	26	23	21	19	17	14	12	10	8		
US 75 E / ES		20	16	13	10	7	4							
US 75 D / DS		23	19	16	12	10	7	3						
US 105 E / ES			28	25	22	19	16	13	10	7	3			
US 105 D / DS			29	26	23	20	17	14	11	8	4			
US 155 E / ES				29	26	22	20	16	14	11	8	2		
US 155 D / DS				31	28	25	21	19	16	13	10	6		
US 151 E / ES	40	39	37	35	33	31	29	26	23	20	17	14		
US 151 D / DS	40	39	37	35	33	31	29	26	23	20	17	14		
US 251 D / DS	54	52	51	49	47	45	43	40	38	35	32	29	21	10
US 253 D / DS	40	38	36	34	32	30	28	25	23	20	17	14	7	

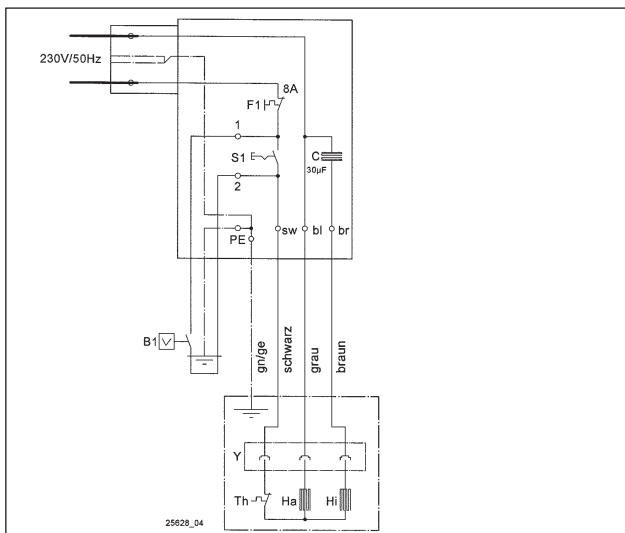
US 62 bis US 105



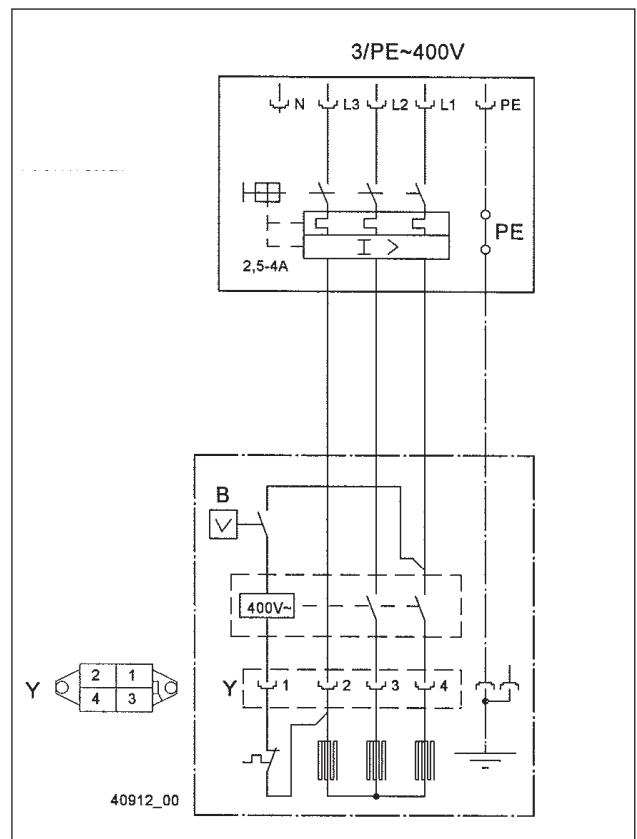
US 151, US 251 und US 253 D / DS



US 151 E / ES



US 152, US 153 und US 155 D / DS



US 152, US 153 und US 155 E / ES

