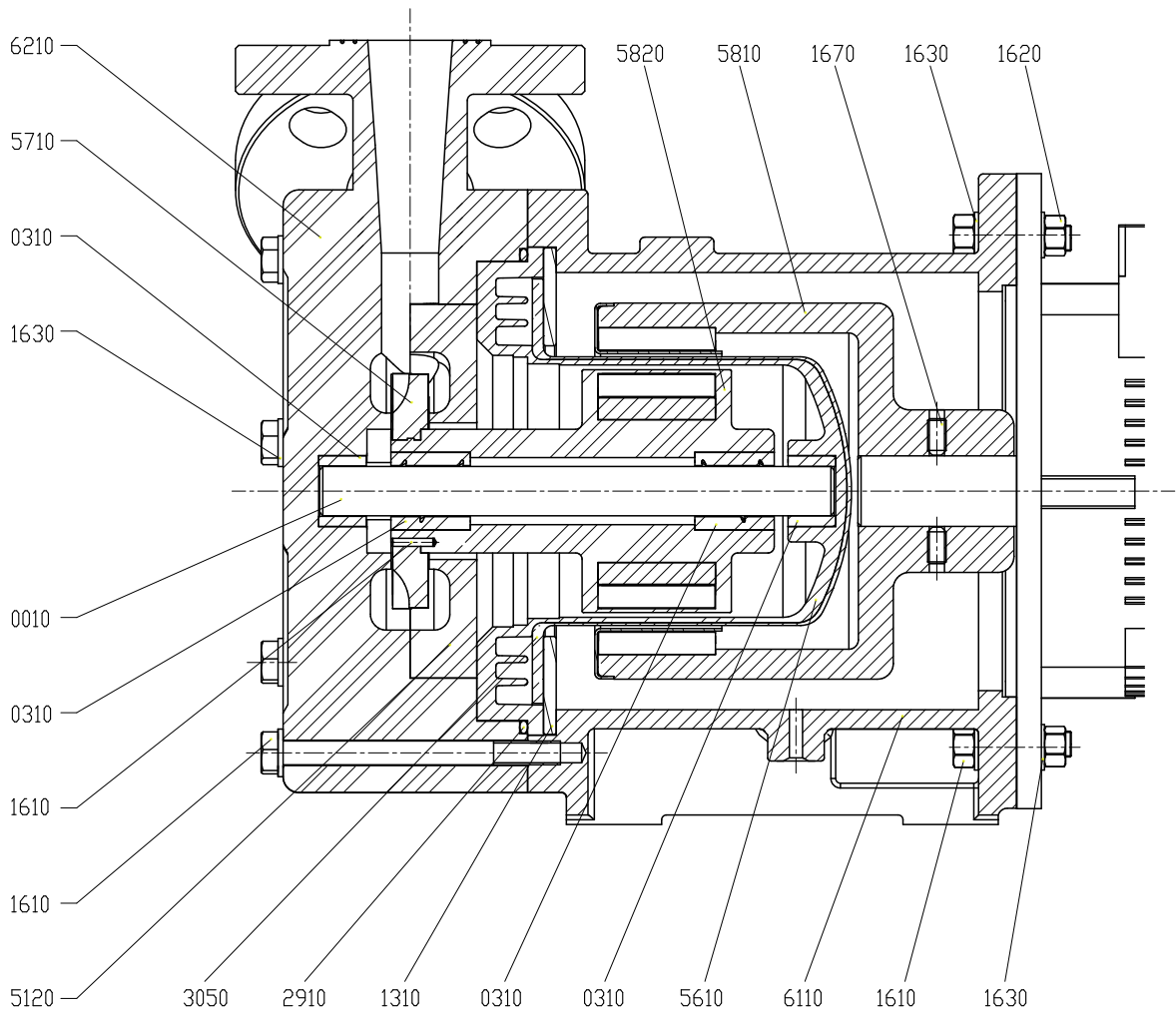


N°	DESCRIPTION
0010	Shaft
0310	Bushing
1610	Screw
1620	Nut
1630	Washer
1670	Exagon Socked Set Screws
2210	Ring
2910	O-Ring
5120	Volute Ring
5610	Rear Casing
5710	Impeller
5810	External Magnet
5820	Internal Magnet
6110	Bracket
6220	Pump Casing

**/ CROSS**  
**SECTION AND PART LIST**  
 SERIE/PUMP SERIES: T MAG-160



N°	DESCRIPTION
0010	Shaft
0310	Bushing
1310	Rear Casing Lock
1610	Screw
1620	Nut
1630	Washer
1670	Exagon Socked Set Screws
2910	O-Ring
3050	Rear Casing Cover
5120	Volute Ring
5610	Rear Casing
5710	Impeller
5810	External Magnet
5820	Internal Magnet
6110	Bracket
6220	Pump Casing