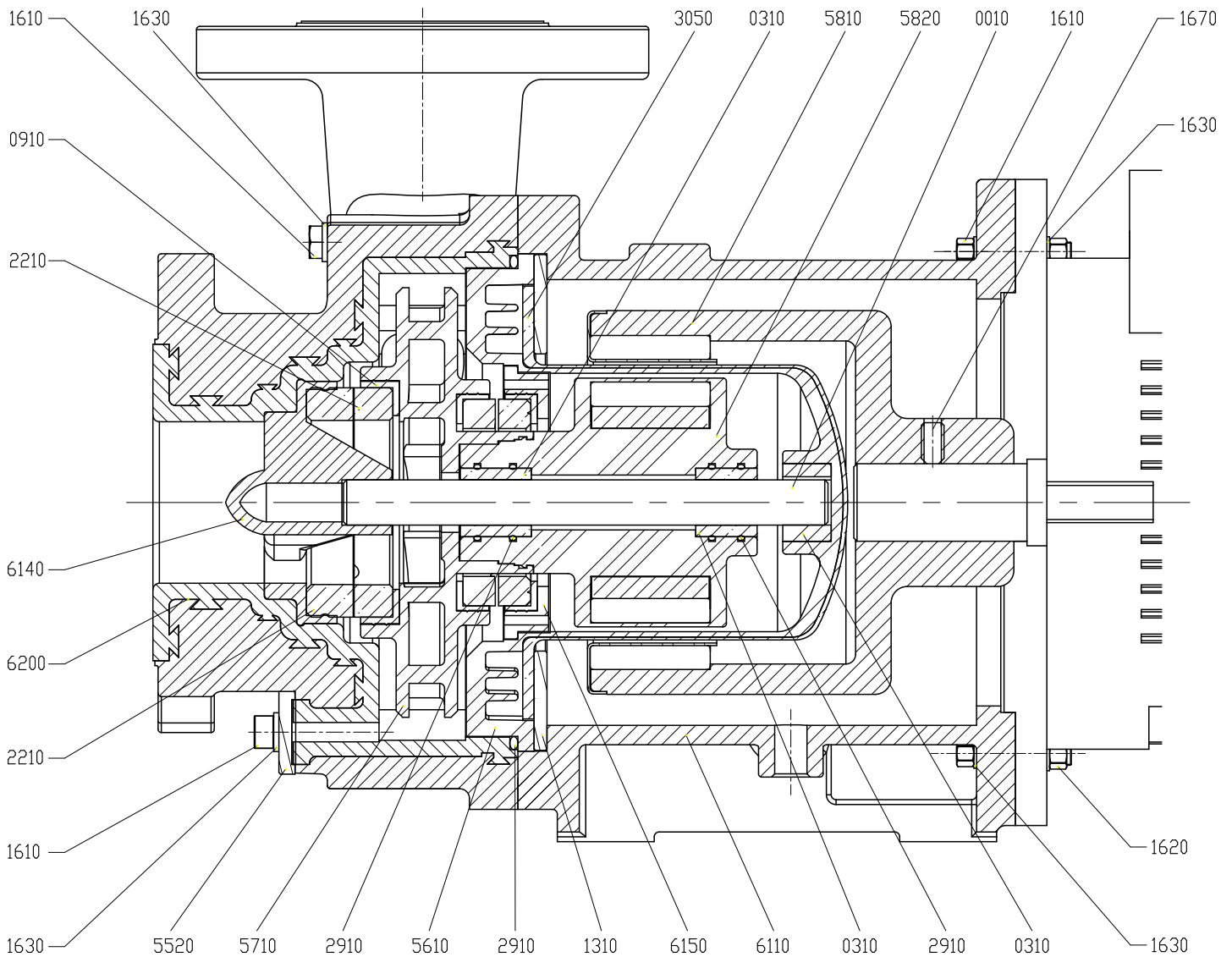


CROSS
SECTION AND PART LIST
 SERIE/PUMP SERIES: C MAG-PL50÷100



N°	DESCRIPTION
0010	Shaft
0310	Bushing
0910	Glove
1310	Rear Casing Reinforced Ring
1610	Screw
1620	Nut
1630	Washer
1670	Exagon Socket Set Screws
2210	Thrust Bearing
2910	O-ring
3050	Rear Casing Cover
5520	Discharge Cover
5610	Rear Casing
5710	Impeller
5810	External Magnet
5820	Internal Magnet
6110	Bracket
6140	Front Shaft Support
6150	Thrust Bearing Support
6200	Lined Pump Casing