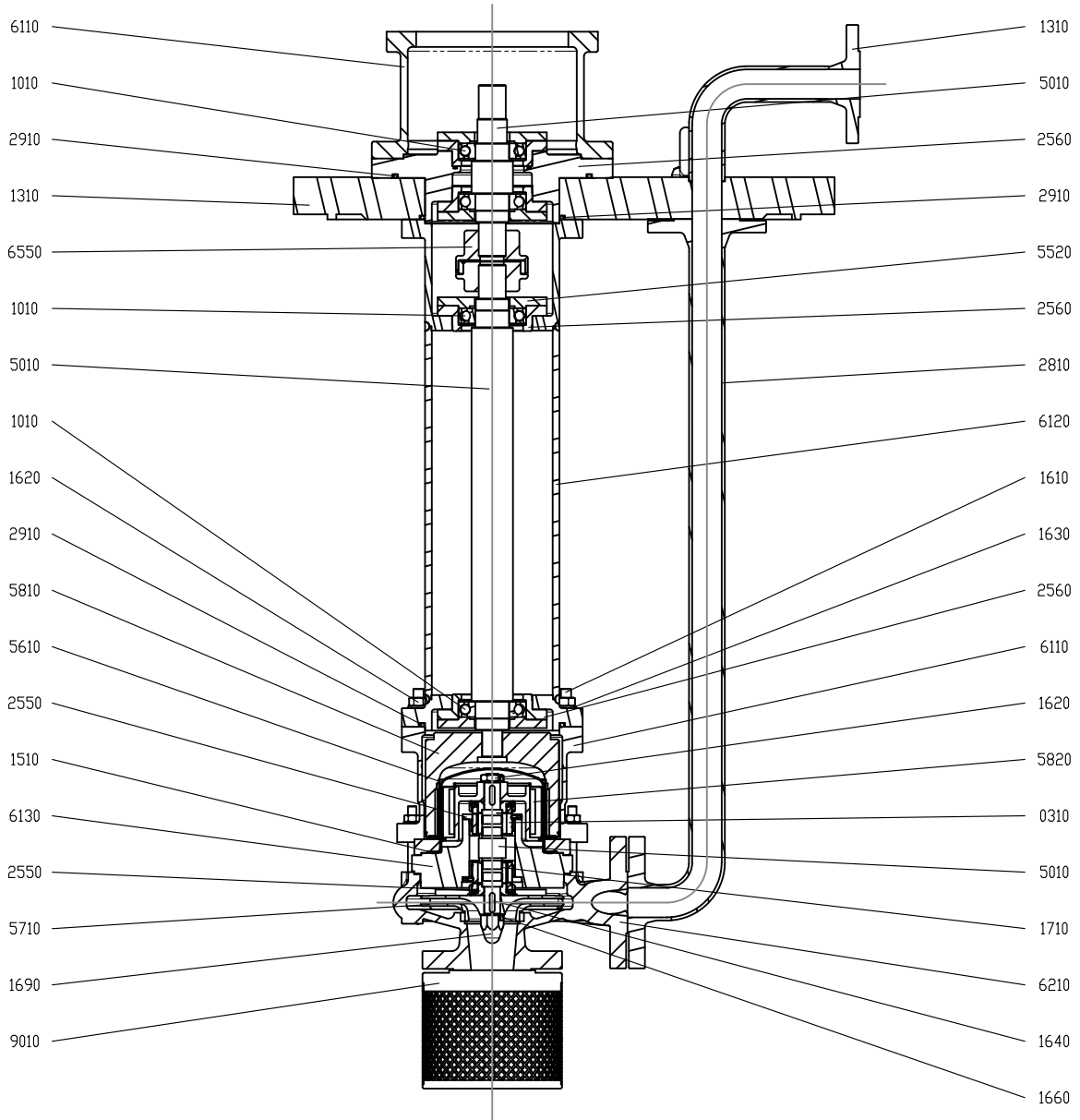


CROSS SECTION AND PART LIST
SERIE/PUMP SERIES: CNV MAG-M



N°	DESCRIPTION
0310	Bushing / Spacer
1010	Bearing
1310	Flange
1510	Gasket
1610	Screw
1620	Nut
1630	Washer
1640	Key
1660	Security washer
1690	Impeller nut
1710	Tolerance ring
2550	Bushing support
2560	Bearing support
2810	Pipe
2910	O-ring
5010	Shaft
5520	Front/Rear Cover
5610	Rear Casing
5710	Impeller
5810	External Magnet
5820	Internal Magnet
6110	Bracket
6120	Module
6130	Shaft support
6210	Pump Casing
6550	Elastic coupling
9010	Filter