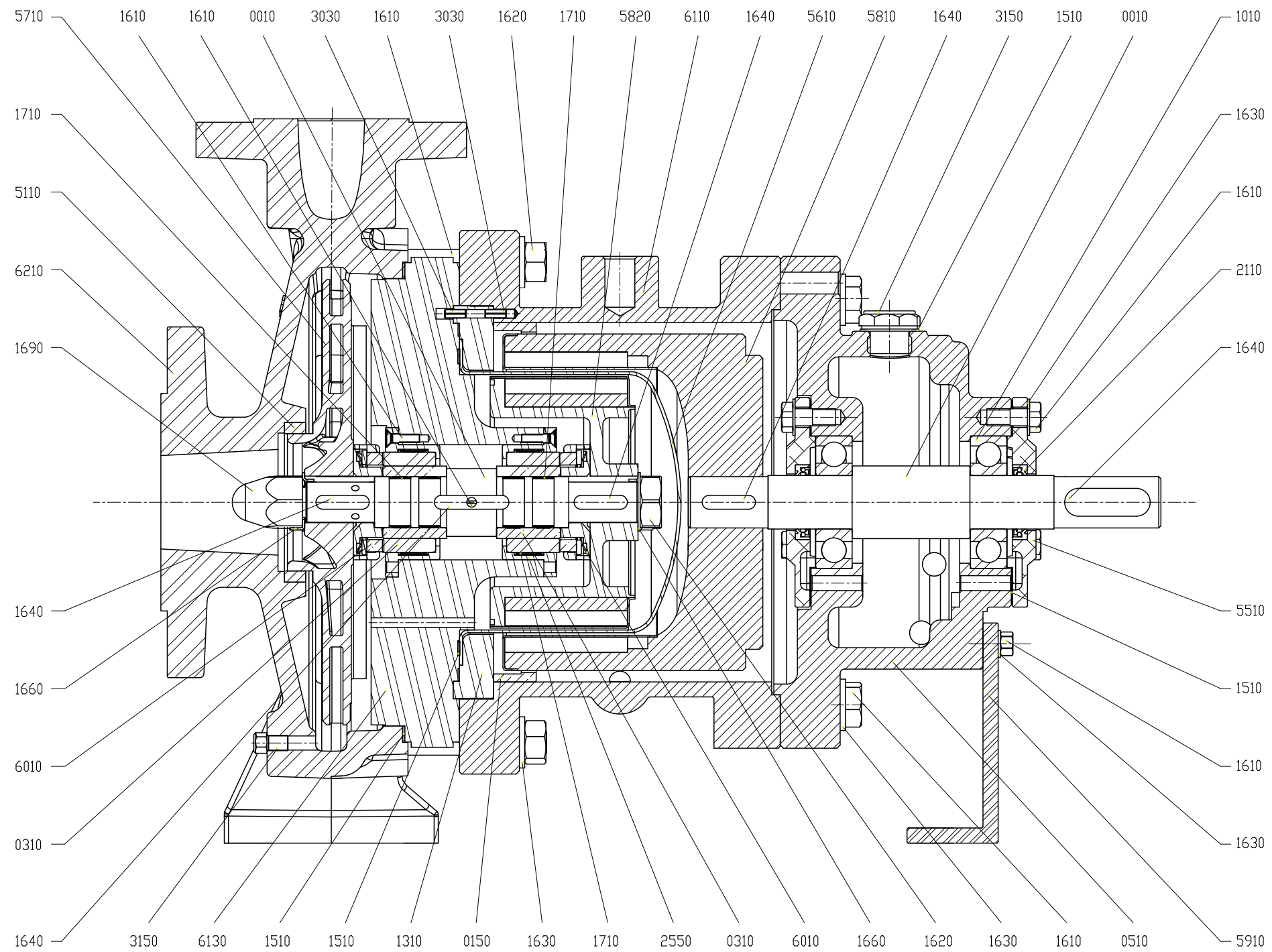


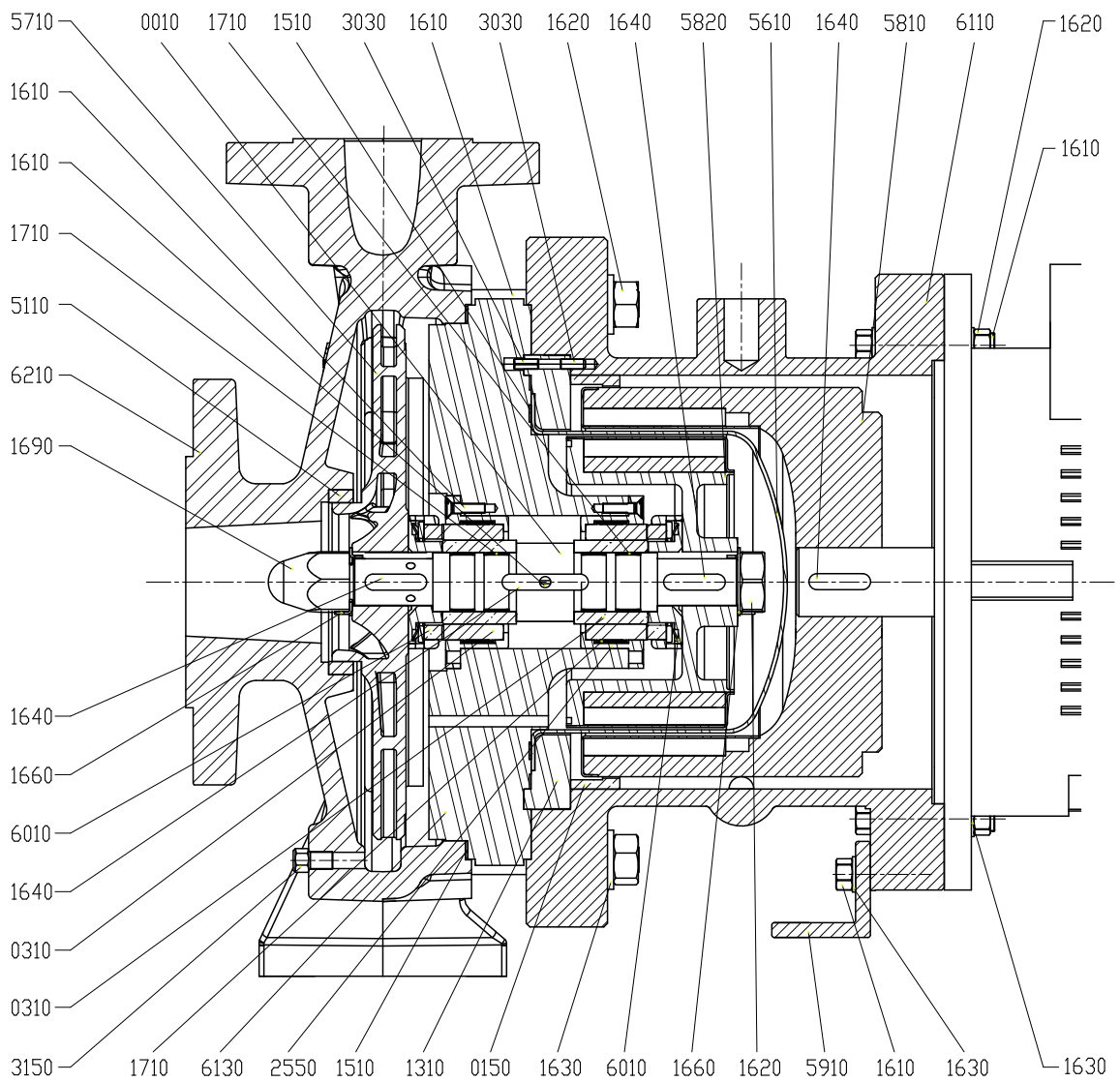
**SECTION AND PART LIST** / CROSS  
 SERIE/PUMP SERIES: CN MAG-M 1/2/3/4^R BF



N°	DESCRIPTION
0010	Shaft
0150	Rub-Ring (Only for ATEX Version)
0310	Bushing
0510	Bearing Frame
1010	Bearing
1310	Rear Casing Reinforced Ring
1510	Gasket
1610	Screw
1620	Nut
1630	Washer
1640	Key
1660	Lock Washer
1690	Impeller Nut
1710	Tolerance Ring
2110	Shaft Seal

N°	DESCRIPTION
2550	Bushing Support
3150	Plug
3030	Spring Pin
5110	Pump Casing Thrust Bearing
5510	Bearing Frame Cover
5610	Rear Casing
5710	Impeller
5810	External Magnet
5820	Internal Magnet
5910	Foot
6010	Thrust Bearing
6110	Bracket
6130	Bushing's Support
6210	Pump Casing

**CROSS  
SECTION AND PART LIST**  
SERIE/PUMP SERIES: CN MAG-M 1/2/3/4^R CC



N°	DESCRIPTION
0010	Shaft
0150	Rub-Ring (Only for ATEX Version)
0310	Bushing
1310	Rear Casing Reinforced Ring
1510	Gasket
1610	Screw
1620	Nut
1630	Washer
1640	Key
1660	Lock Washer
1690	Impeller Nut
1710	Tolerance Ring
2550	Bushing Support
3150	Plug
3030	Spring Pin
5110	Pump Casing Thrust Bearing
5610	Rear Casing
5710	Impeller
5810	External Magnet
5820	Internal Magnet
5910	Foot
6010	Thrust Bearing
6110	Bracket
6130	Bushing's Support
6210	Pump Casing