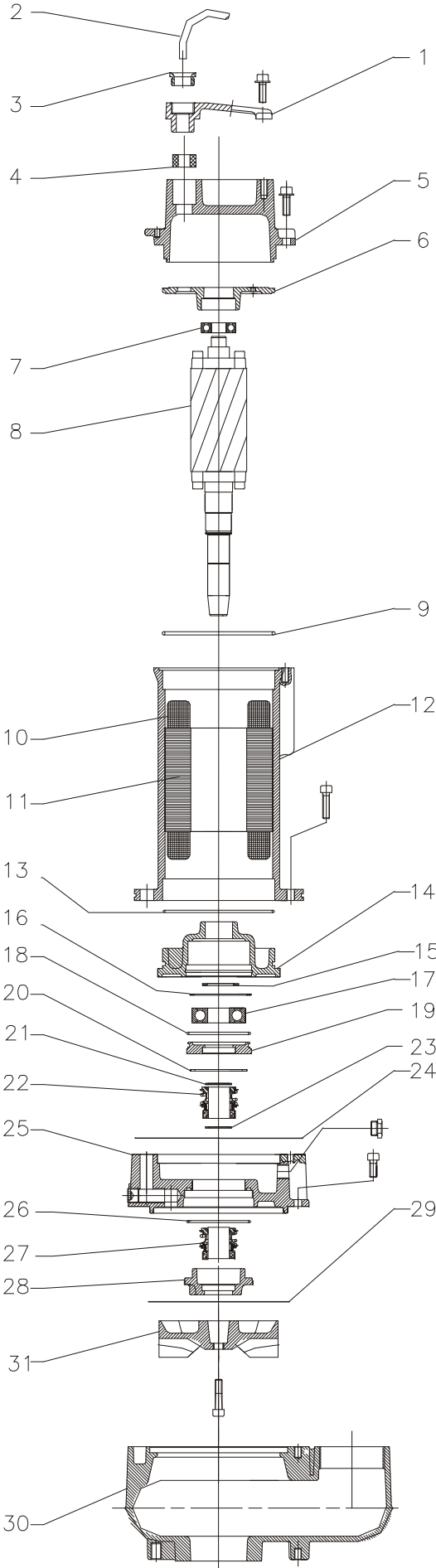


Fig. 2

DGN - MAN - DRN



I

GB

D

1	MANIGLIA	HANDLE	GRIF
2	CAVO	CABLE	KABEL
3	TAPPO PRESSACAVO	NUT	SCHRAUBE
4	GOMMINO	CABLE GLAND	KABELLEINFUHRUNG
5	COPERCHIO MOTORE	MOTOR COVER	MOTORGEHAUSE
6	SUPP. CUSCINETTO	BEARING HOLDER	LAGER-HALTERUNG
7	CUSCINETTO	UPPER BALL BEARING	KUGELLAGER
8	ALBERO	SHAFT WITH ROTOR	PUMPENWELLE MIT ROTOR
9	O-RING	O-RING	O-RING
10	AVVOLGIMENTO	WINDING	WICKLUNG
11	STATORE	WINDING	WICKLUNG
12	CARCASSA	MOTOR CASE	STATORMANTEL
13	O-RING	O-RING	O-RING
14	SUPP. CUSCINETTO	BEARING HOLDER	LAGER-HALTERUNG
15	RONDELLA	WASHER	AUFLAGESCHEIBE
16	MOLLA	SPRING	FEDER
17	CUSCINETTO	LOWER BALL BEARING	KUGELLAGER
18	O-RING	O-RING	O-RING
19	FLANGIA	SEALING FLANGE	FLANSCH
20	SEEGER	SEEGER	SEEGER
21	SEEGER	SEEGER	SEEGER
22	TENUTA	MECHANICAL SEAL	GLETRINGDLCH TUNG
23	SEEGER	SEEGER	SEEGER
24	GUARNIZIONE	GASKET	DICHTUNGSFEDER
25	SUPPORTO INT.	INTERM. SUPPORT	ZWISCHENHALTERUNG
26	O-RING	O-RING	O-RING
27	TENUTA	MECHANICAL SEAL	GLETRINGDLCH TUNG
28	BOCCOLA	SEALING FLANGE	FLANSCH
29	GUARNIZIONE	GASKET	DICHTUNGSFEDER
30	CORPO POMPA	PUMP BODY	PUMPENGEHAUSE
31	GIRANTE	IMPELLER	LAUFRAD

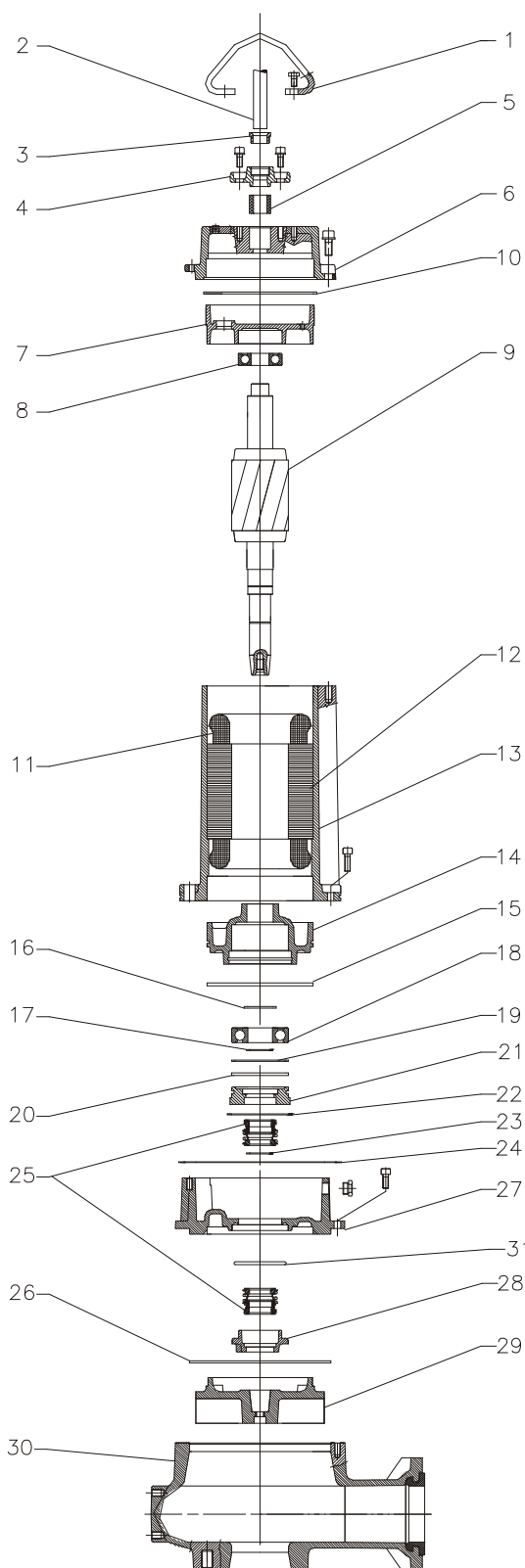
F

E

1	POIGNEE	PUNO
2	CABLE	CABLE
3	ECROU	EJE
4	SERRE CABLE	PRENSACABLE
5	COUVERCLE	TAPA MOTOR
6	SUPPORT DU ROULMENT	SOPORTE RODAMIENTO
7	ROULMENT SUPERIOR	COJINETE
8	ARBRE AVEC ROTEUR	ROTOR CON EJE
9	O-RING	O-RING
10	BOBINE	BOBINADO
11	BOBINE	BOBINADO
12	CARCASSE MOTEUR	CARCASA MOTOR
13	O-RING	O-RING
14	SUPPORT DU ROULMENT	SOPORTE RODAMIENTO
15	RONDELLE	ARANDELA
16	RESSORT	RESORTE
17	ROULMENT INFERIOR	COJONETE
18	O-RING	O-RING
19	BRIDE POUR ETANCHEITE	RETEN PARA ACEITE
20	SEEGER	SEEGER
21	SEEGER	SEEGER
22	TENUE MECHANIQUE	CIERRE MECANICO
23	SEEGER	SEEGER
24	JOINT	EMPAQUETADURA
25	SUPPORT INTERMEDIAIRE	SOPORTE INTERMEDIO
26	O-RING	O-RING
27	TENUE MECHANIQUE	CIERRE MECANICO
28	BRIDE POUR ETANCHEITE	RETEN PARA ACEITE
29	JOINT	EMPAQUETADURA
30	CORPS DE LA POMPE	CUERPO BOMBA
31	ROUE MOBILE	TURBINA

Fig. 2/a

DGN – MAN - DRN



I

GB

D

1	MANIGLIA	HANDLE	GRIF
2	CAVO	CABLE	KABEL
3	TAPPO PRESSACAVO	NUT	SCHRAUBE
4	PRESSACAVO		
5	GOMMINO	CABLE GLAND	KABELLEINFUHRUNG
6	COPERCHIO MOTORE	MOTOR COVER	MOTERGEHAUSE
7	SUPP. CUSCINETTO	BEARING HOLDER	LAGER-HALTERUNG
8	CUSCINETTO	UPPER BALL BEARING	KUGELLAGER
9	ALBERO	SHAFT WITH ROTOR	PUMPENWELLE MIT ROTOR
10	O-RING	O-RING	O-RING
11	AVVOLGIMENTO	WINDING	WICKLUNG
12	STATORE	WINDING	WICKLUNG
13	CARCASSA	MOTOR CASE	STATORMANTEL
14	SUPP. CUSCINETTO	BEARING HOLDER	LAGER-HALTERUNG
15	O-RING	O-RING	O-RING
16	RONDELLA	WASHER	AUFLAGESCHEIBE
17	SEEGER	SEEGER	SEEGER
18	CUSCINETTO	LOWER BALL BEARING	KUGELLAGER
19	MOLLA	SPRING	FEDER
20	O-RING	O-RING	O-RING
21	FLANGIA	SEALING FLANGE	FLANSCH
22	SEEGER	SEEGER	SEEGER
23	SEEGER	SEEGER	SEEGER
24	GUARNIZIONE	GASKET	DICHTUNGSFEDER
25	TENUTA	MECHANICAL SEAL	GLETRINGDLCH TUNG
26	GUARNIZIONE	GASKET	DICHTUNGSFEDER
27	SUPPORTO INT.	INTERM. SUPPORT	ZWISCHENHALTERUNG
28	BOCCOLA	SEALING FLANGE	FLANSCH
29	GIRANTE	IMPELLER	LAUFRAD
30	CORPO POMPA	PUMP BODY	PUMPENGEHAUSE

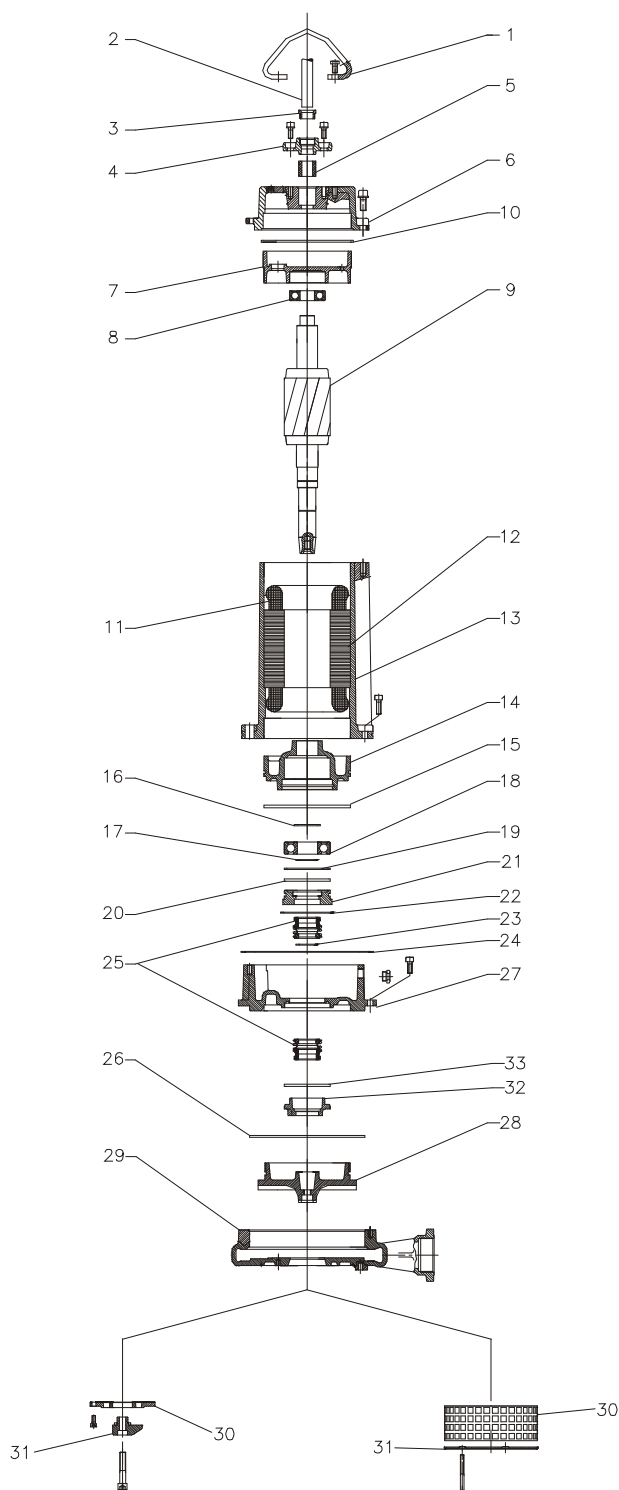
F

E

1	POIGNEE	PUNO
2	CABLE	CABLE
3	ECROU	EJE
4	SERRE CABLE	PRENSACABLE
5	SERRE CABLE	PRENSACABLE
6	COUVERCLE	TAPA MOTOR
7	SUPPORT DU ROULMENT	SOPORTE RODAMIENTO
8	ROULMENT SUPERIOR	COJINETE
9	ARBRE AVEC ROTEUR	ROTOR CON EJE
10	O-RING	O-RING
11	BOBINE	BOBINADO
12	BOBINE	BOBINADO
13	CARCASSE MOTEUR	CARCASA MOTOR
14	SUPPORT DU ROULMENT	SOPORTE RODAMIENTO
15	O-RING	O-RING
16	RONDELLE	ARANDELA
17	SEEGER	SEEGER
18	ROULMENT INFERIOR	COJONETE
19	RESSORT	RESORTE
20	O-RING	O-RING
21	BRIDE POUR ETANCHEITE	RETEN PARA ACEITE
22	SEEGER	SEEGER
23	SEEGER	SEEGER
24	JOINT	EMPAQUETADURA
25	TENUE MECHANIQUE	CIERRE MECANICO
26	JOINT	EMPAQUETADURA
27	SUPPORT INTERMEDIAIRE	SOPORTE INTERMEDIO
28	BRIDE POUR ETANCHEITE	RETEN PARA ACEITE
29	ROUE MOBILE	TURBINA
30	CORPS DE LA POMPE	CUERPO BOMBA

Fig. 2/b

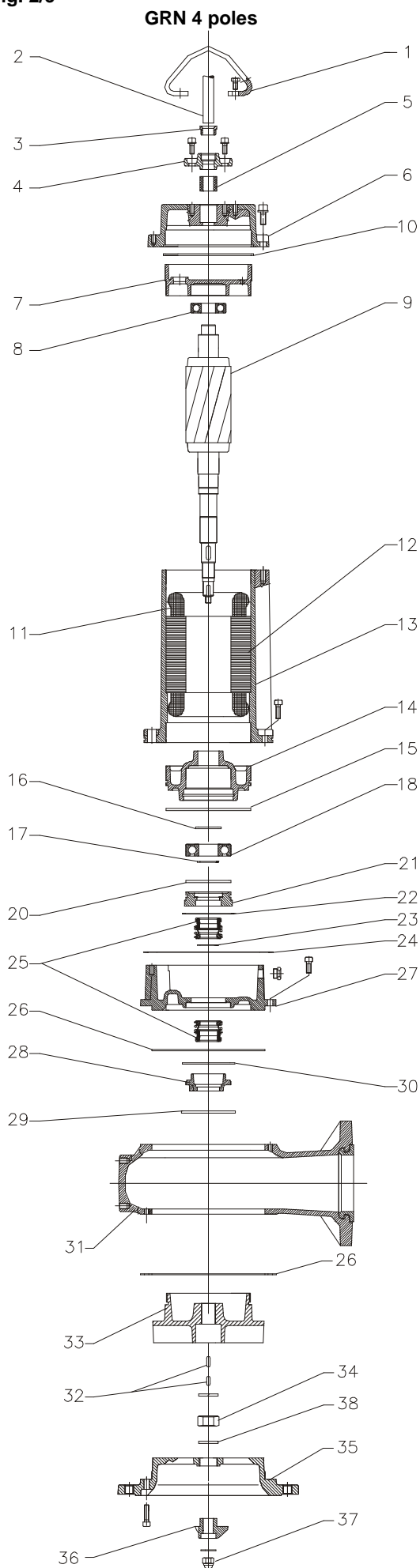
APN – GRN



	I	GB	D
1	MANIGLIA	HANDLE	GRIFF
2	CAVO	CABLE	KABEL
3	TAPPO PRESSACAVO	NUT	SCHRAUBE
4	PRESSACAVO	CABLE GLAND	KABELLEINFUHRUNG
5	GOMMINO	CABLE GLAND	KABELLEINFUHRUNG
6	COPERCHIO MOTORE	MOTOR COVER	MOTERGEHAUSE
7	SUPP. CUSCINETTO	BEARING HOLDER	LAGER-HALTERUNG
8	CUSCINETTO	UPPER BALL BEARING	KUGELLAGER
9	ALBERO	SHAFT WITH ROTOR	PUMPENWELLE
10	O-RING	O-RING	O-RING
11	AVVOLGIMENTO	WINDING	WICKLUNG
12	STATORE	WINDING	WICKLUNG
13	CARASSA	MOTOR CASE	STATORMANTEL
14	SUPP. CUSCINETTO	BEARING HOLDER	LAGER-HALTERUNG
15	O-RING	O-RING	O-RING
16	RONDELLA	WASHER	AUFLAGESCHEIBE
17	SEEGER	SEEGER	SEEGER
18	CUSCINETTO	LOWER BALL BEARING	KUGELLAGER
19	MOLLA	SPRING	FEDER
20	O-RING	O-RING	O-RING
21	FLANGIA	SEALING FLANGE	FLANSCH
22	SEEGER	SEEGER	SEEGER
23	SEEGER	SEEGER	SEEGER
24	GUARNIZIONE	GASKET	DICHTUNGSFEDER
25	TENUTA	MECHANICAL SEAL	GLEITRINGDLCH TUNG
26	GUARNIZIONE	GASKET	DICHTUNGSFEDER
27	SUPPORTO INT.	INTERM. SUPPORT	ZWISCHENHALTERUNG
28	GIRANTE	IMPELLER	LAUFRAD
29	CORPO POMPA	PUMP BODY	GITTER - PUMPENGEHAUSE
30	GRIGLIA - PIATTO TRIT	STREINER - CUTTING DISK	HAUSE - SCHNEIDEWERTZUG PLATTE
31	COPERCHIO - COLTELLO	COVER - CUTTER	GEHAUSE - SCHNEIDEWERTZUG

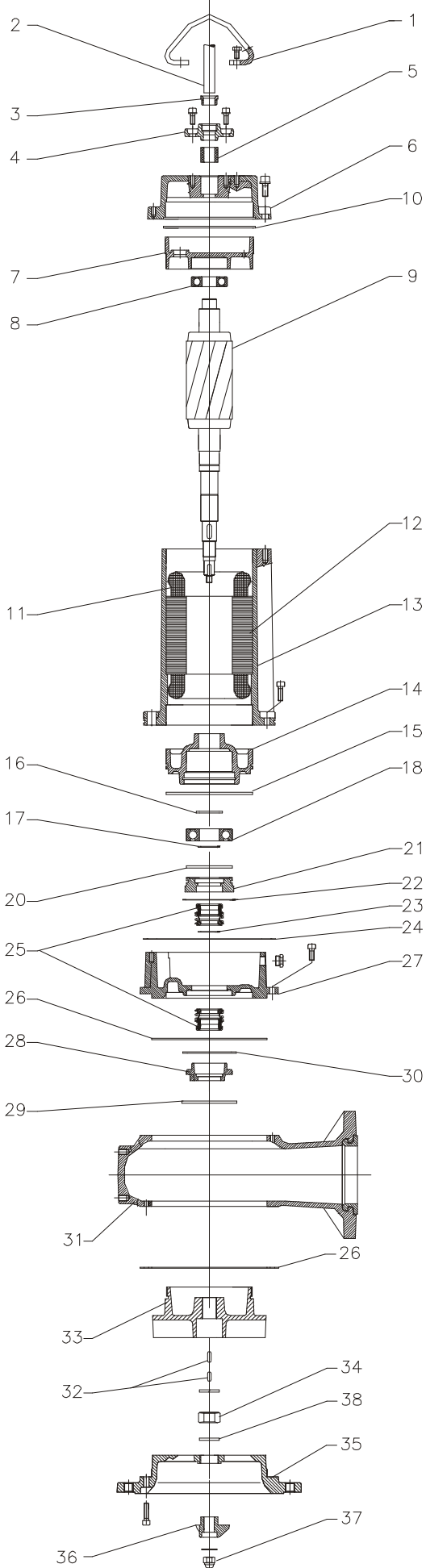
	F	E
1	POIGNEE	PUNO
2	CABLE	CABLE
3	ECROU	EJE
4	SERRE CABLE	PRENSACABLE
5	SERRE CABLE	PRENSACABLE
6	COUVERCLE	TAPA MOTOR
7	SUP. DU ROULMENT	SOP. RODAMIENTO
8	ROULMENT	COJINETE
9	ARBRE ET ROTOR	ROTOR CON EJE
10	O-RING	O-RING
11	BOBINE	BOBINADO
12	BOBINE	BOBINADO
13	CARCASSE MOTEUR	CARCASA MOTOR
14	SUPORT DU ROULMENT	SOPORTE RODAMIENTO
15	O-RING	O-RING
16	RONDELLE	ARANDELA
17	SEEGER	SEEGER
18	ROULMEN	COJONETE
19	RESSORT	RESORTE
20	O-RING	O-RING
21	BRIDE POUR ETANCHEITE	RETEN PARA ACEITE
22	SEEGER	SEEGER
23	SEEGER	SEEGER
24	JOINT	EMPAQUETADURA
25	TENUE MECHANIQUE	CIERRE MECANICO
26	JOINT	EMPAQUETADURA
27	SUPPORT INT.	SOPORTE INT.
28	ROUE MOBILE	TURBINA
29	CORPS DE LA POMPE	CUERPO BOMBA
30	CREPINE - DISQUE DE COURPAGE	REJA - DISCO TRITURADOR
31	COUVERCLE - HACHOIR	TAPA - CUCHILLA

Fig. 2/c



	(I)	(GB)	(D)
1	MANIGLIA	HANDLE	GRIFF
2	CAVO	CABLE	KABEL
3	TAPPO PRESSACAVO	NUT	SCHRAUBE
4	PRESSACAVO	CABLE GLAND	KABELLEINFUHRUNG
5	GOMMINO	CABLE GLAND	KABELLEINFUHRUNG
6	COPERCHIO MOTORE	MOTOR COVER	MOTERGEHAUSE
7	SUPP. CUSCINETTO	BEARING HOLDER	LAGER-HALTERUNG
8	CUSCINETTO	UPPER BALL BEARING	KUGELLAGER
9	ALBERO	SHAFT WITH ROTOR	PUMPENWELLE
10	O-RING	O-RING	O-RING
11	AVVOLGIMENTO	WINDING	WICKLUNG
12	STATORE	WINDING	WICKLUNG
13	CARCASSA	MOTOR CASE	STATORMANTEL
14	SUPP. CUSCINETTO	BEARING HOLDER	LAGER-HALTERUNG
15	O-RING	O-RING	O-RING
16	RONDELLA	WASHER	AUFLAGESCHEIBE
17	SEEGER	SEEGER	SEEGER
18	CUSCINETTO	LOWER BALL BEARING	KUGELLAGER
20	O-RING	O-RING	O-RING
21	FLANGIA	SEALING FLANGE	FLANSCH
22	SEEGER	SEEGER	SEEGER
23	SEEGER	SEEGER	SEEGER
24	GUARNIZIONE	GASKET	DICHTUNGSFEDER
25	TENUTA	MECHANICAL SEAL	GLETRINGDLCH TUNG
26	GUARNIZIONE	GASKET	DICHTUNGSFEDER
27	SUPPORTO INT.	INTERM. SUPPORT	ZWISCHENHALTERUNG
28	BOCCOLA	SEALING FLANGE	FLANSCH
29	O-RING	O-RING	O-RING
30	SEEGER	SEEGER	SEEGER
31	CORPO POMPA	PUMP BODY	PUMPENGEHAUSE
32	CHIAVETTA	KEY	PASSFEDER
33	GIRANTE	IMPELLER	LAUFRAD
34	DADO	NUT	SCHRAUBE
35	PIATTO TRITURATORE	CUTTING DISK	SCHNEIDEWERTZU GPLATTE
36	COLTELLO	CUTTER	SCHNEIDEWERTZUG
37	DADO CECO	BOX NUT	HUTMUTTER
38	RONDELLA	WASHER	AUFLAGESCHEIBE

**GRN 4 poles**



	(F)	(E)
1	POIGNEE	PUNO
2	CABLE	CABLE
3	ECROU	EJE
4	SERRE CABLE	PRENSACABLE
5	SERRE CABLE	PRENSACABLE
6	COUVERCLE	TAPA MOTOR
7	SUP. DU ROULMENT	SOP. RODAMIENTO
8	ROULMENT	COJINETE
9	ARBRE ET ROTOR	ROTOR CON EJE
10	O-RING	O-RING
11	BOBINE	BOBINADO
12	BOBINE	BOBINADO
13	CARCASSE MOTEUR	CARCASA MOTOR
14	SUPPORT DU ROUL.	SOPORTE RODAM.
15	O-RING	O-RING
16	RONDELLE	ARANDELA
17	SEEGER	SEEGER
18	ROULMEN	COJONETE
20	O-RING	O-RING
21	BRIDE ETANCHEITE	RETEN PARA ACEITE
22	SEEGER	SEEGER
23	SEEGER	SEEGER
24	JOINT	EMPAQUETADURA
25	TENUE MECHANIQUE	CIERRE MECANICO
26	JOINT	EMPAQUETADURA
27	SUPPORT INT.	SOPORTE INT.
28	BRIDE POUR ETANCHEITE	RETEN PARA ACEITE
29	O-RING	O-RING
30	SEEGER	SEEGER
31	CORPS DE LA POMPE	CUERPO BOMBA
32	CLAVETTE	CHAVETA
33	ROUE MOBILE	TURBINA
34	ECROU	TUERCA
35	DISQUE DE COURPAGE	DISCO TRITURADOR
36	HACHOIR	CUCHILLA
37	ECROU PLAIN	TUERCA CIEGA
38	RONDELLE	ARANDELA