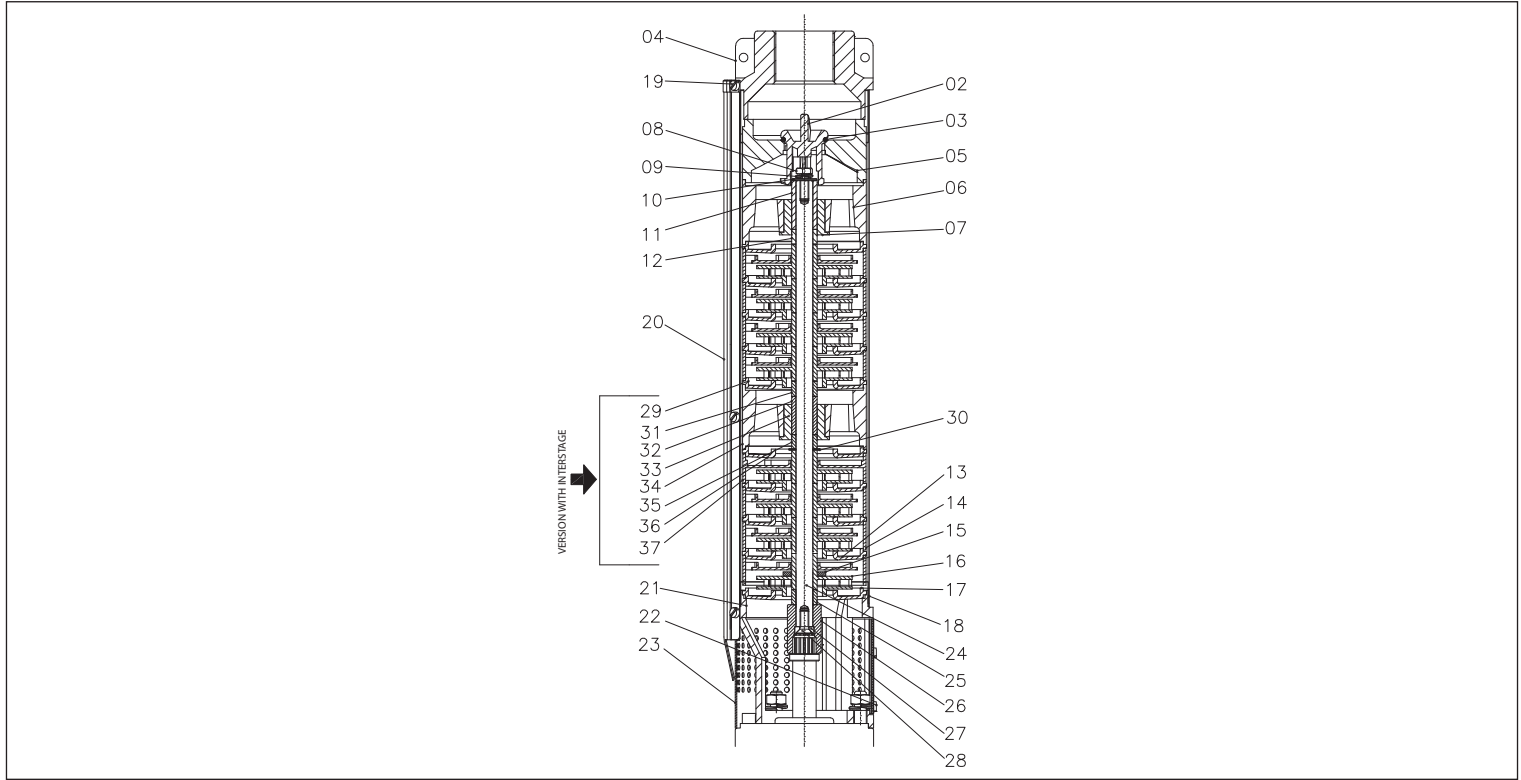


## 3" SUBMERSED CENTRIFUGAL ELECTRIC PUMPS

in AISI 304

### SECTIONAL VIEW



### MATERIALS TABLE

Ref.	Name	Material	Ref.	Name	Material
2	Valve	POM Polyacetalic resin	21	Suction inlet	EN 1.4301 (AISI 304)
3	O-Ring	NBR	22	Screw	EN 1.4301 (AISI 304)
4	Discharge inlet	EN 1.4301 (AISI 304)	23	Filter	EN 1.4016 (AISI 430)
5	Valve seat	PPO mod. + G.F.	24	Shaft	EN 1.4105 (AISI 430F)
6	Bearing seat	PPO mod. + G.F.	25	Spacer	PPO mod. + G.F.
7	Bearing	PUR Polyurethane	26	Joint	EN 1.4401 (AISI 316)
8	Screw	EN 1.4301 (AISI 304)	27	Washer	EN 1.4401 (AISI 316)
9	Washer	EN 1.4301 (AISI 304)	28	Screw	EN 1.4301 (AISI 304)
10	Washer	EN 1.4401 (AISI 316)	29	Nozzle disc	POM Polyacetalic resin
11	Shaft casing (bearing)	EN 1.4401 (AISI 316)	30	Adjuster ring	EN 1.4301 (AISI 304)
12	Spacer	PPO mod. + G.F.	31	Spacer	PPO mod. + G.F.
13	Nozzle disc	POM Polyacetalic resin	32	Shaft casing (bearing)	EN 1.4401 (AISI 316)
14	Nozzle	POM Polyacetalic resin	33	Bearing	PUR Polyurethane
15	Washer	EN 1.4301 (AISI 304)	34	Bearing seat	PPO mod. + G.F.
16	Impeller	PPO mod. + G.F.	35	Spacer	PPO mod. + G.F.
17	Nozzle disc	POM Polyacetalic resin	36	Nozzle disc	POM Polyacetalic resin
18	External casing	EN 1.4301 (AISI 304)	37	Nozzle	POM Polyacetalic resin
19	Screw	EN 1.4301 (AISI 304)			

### ELECTRIC DATA TABLE

Model	P <sub>2</sub>		P <sub>1</sub>	Voltage	I <sub>N</sub>	I <sub>A</sub>	Efficiency	Power factor	Ts/T	Single phase Capacitor
	[HP]	[kW]								
Single phase	0,5	0,37	0,72	230	3,75	8,8	51	0,96	0,58	16
	0,75	0,55	1	230	4,5	12,2	55	0,98	0,54	20
	1	0,75	1,31	230	5,85	14,5	57	0,98	0,55	25
Three phase	0,5	0,37	0,72	400	2	8	51	0,71	2,1	-
	0,75	0,55	0,98	400	2,1	9,1	56	0,75	2	-
	1	0,75	1,19	400	2,5	11,7	63	0,75	2	-
	1,5	1,1	1,75	400	3,2	14	63	0,75	2	-