

SVG  
SVM

**SERO**  
PumpSystems

**BEDU**  
POMPEN



Self-priming vertical Side Channel Pump  
SVG | SVM.

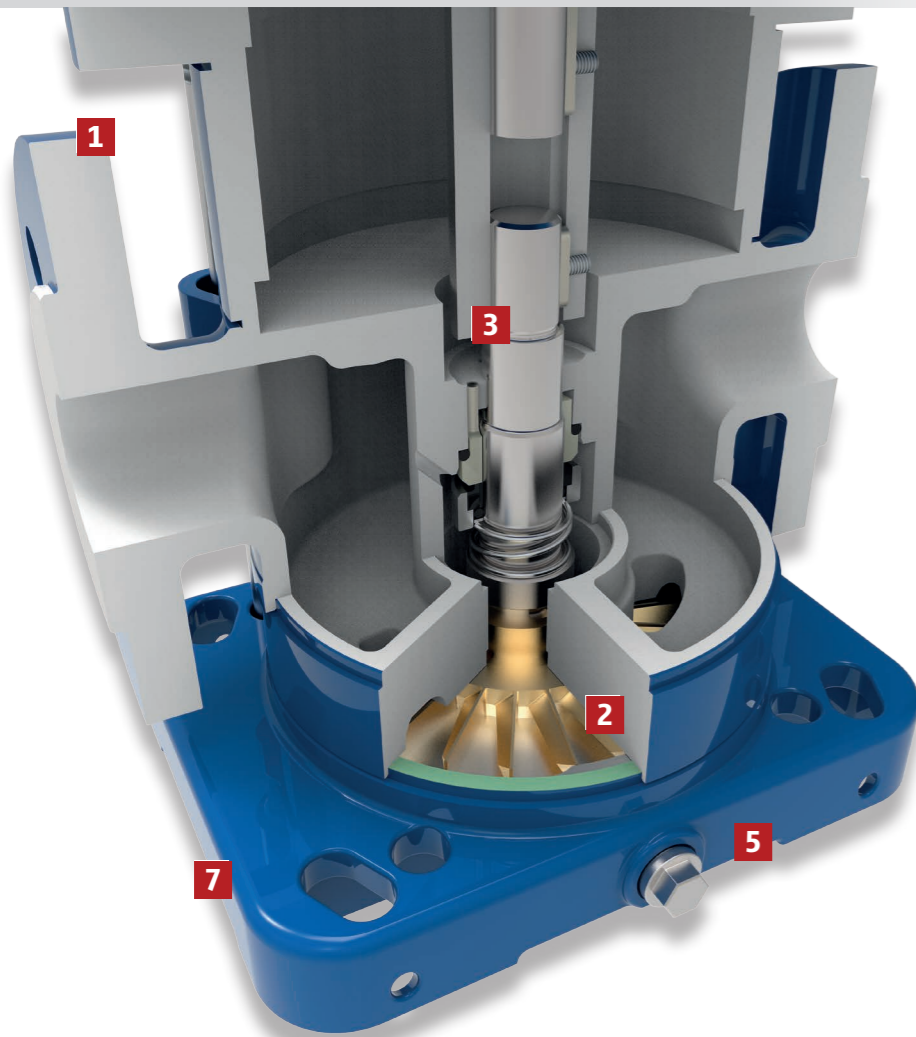
## The Inline Expert.

- Gas Handling
- With standardized mechanical seal or magnetic drive
- Ideal for tank farms with minimal space requirement
- Close coupled single-stage design

Vertical – Space-saving installation.  
Handling of explosive, aggressive or toxic fluids.

# SVG | SVM

## SVG with mechanical seal



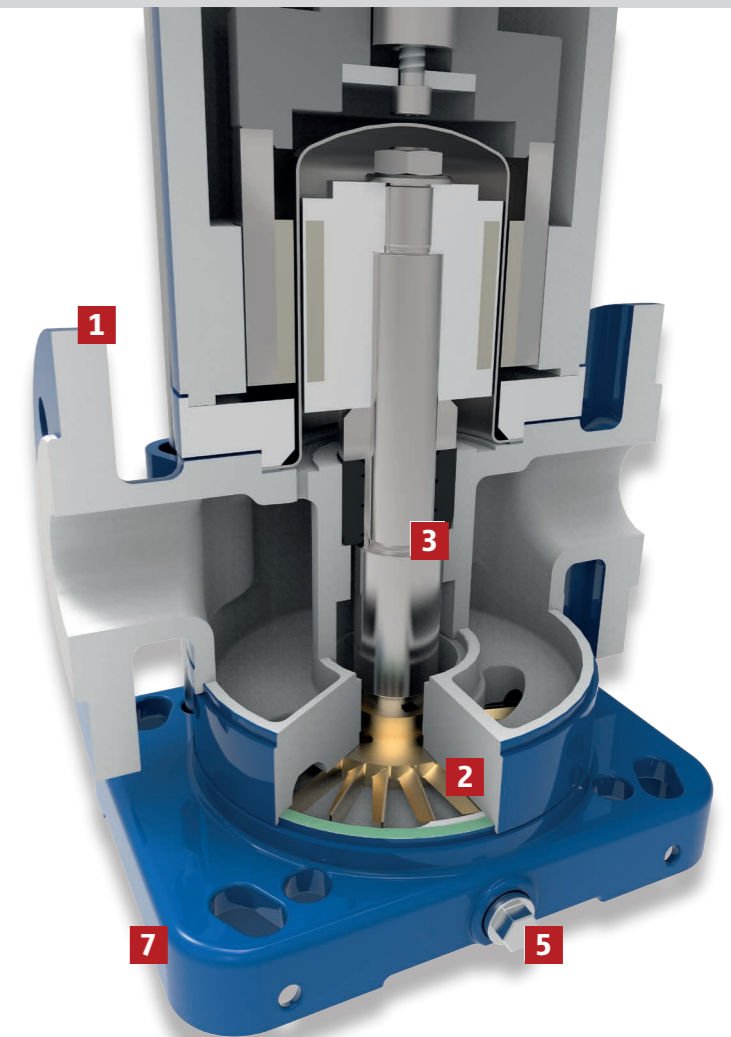
### Features

- 1** Inline-design (vertical) for limited space. Flanges acc. to DIN 1092 PN16.
- 2** Open star impeller with balance holes. Axial thrust forces are effectively balanced.
- 3** SVG – Short, rigid shaft and sleeve coupling for ideal quiet running at every load phase.  
SVM – Low integrated axial-radial bearing bushing.
- 4** Medium lubricated bearing bushing made of special carbon at lower base center.
- 5** Drain connection at the base.
- 6** Connection to monitor the split can temperature.
- 7** Vertical design for small foot print.

### Operating Data

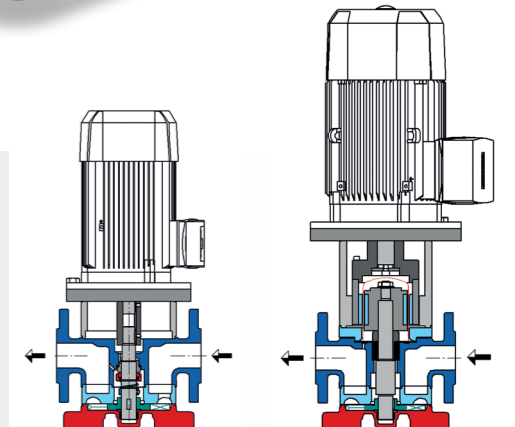
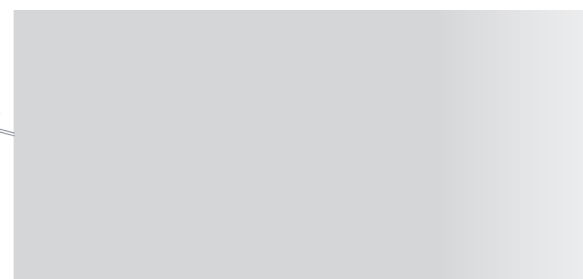
SVG   SVM 110–550	
Flow rates	0,3 up to 20 m <sup>3</sup> /h (1450 1/min) 0,3 up to 24 m <sup>3</sup> /h (1750 1/min)
Heads	up to 51 m (1450 1/min) up to 74 m (1750 1/min)
Speed	900 - 1800 1/min
Temperature	-20 °C up to +120 °C
Nom. Pressure	up to 16 bar

## SVM with magnetic drive



### Construction

SVG   SVM 110–550	
Nozzle position	Inline
Flanges	acc. to DIN 1092 PN16
Shaft seal	single, unbalanced mechanical seal magnetic drive
Bearing	Medium lubricated bearing bushing at base. SVG - Motor bearing (with rigid coupling) SVM - Oversized axial-radial bearing bushing
Direction of rotation	counterclockwise (seen from drive end)



## Material specifications

	ductile iron (60)	ductile iron (62)	stainless steel (32) only for SVM size 110-330
Casings	GJS 400-15	GJS 400-15	1.4408
Channel casing	GJS 400-15	GJS 400-15	1.4470
Base	GJS 400-15	GJS 400-15	1.4470
Shaft	1.4021	1.4021	1.4571
Impeller	CuZn40Al2	1.4059	1.4581
Bearing bushing (base)	Carbon	Carbon	Carbon
Mechanical seal	SVG	single, unbalanced	
Inner rotor (magnetic drive)	SVM	1.4571 [completely encapsulated]	
Axial bearing (magnetic drive)	SVM	Special carbon / 1.4571	
Split can (magnetic drive)	SVM	1.4571	

[Subject to modifications]

## Performance range at 1450 min<sup>-1</sup>

