

Versa-Matic Pump Company
Model E1, 1" Elima-Matic
Metallic Pump Parts List

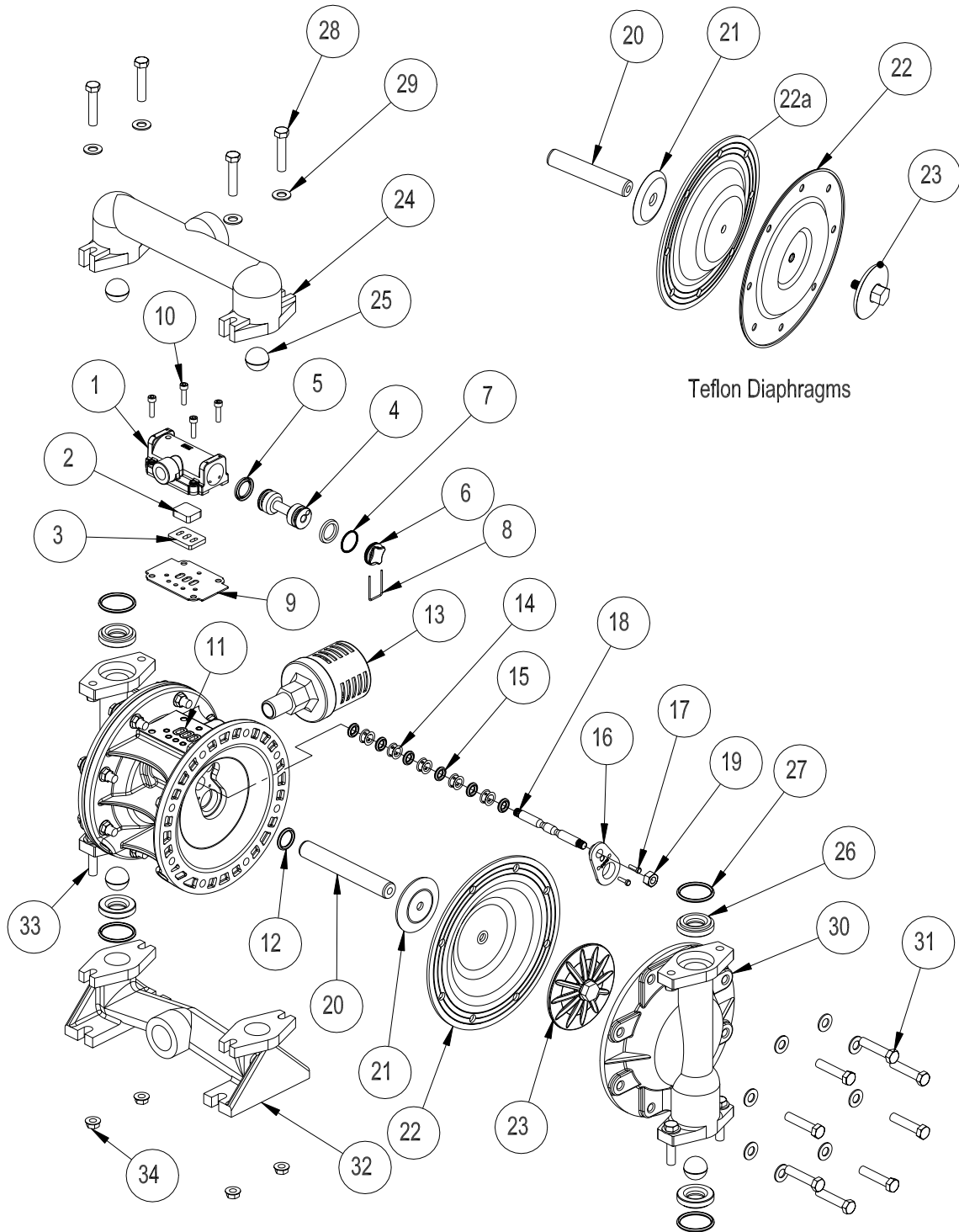
Pump Model Number				
With Rubber & XL Elastomers		With Teflon Elastomers		
E1AP Aluminum	E1SP Stainless Steel	E1AP5 Aluminum	E1SP5 Stainless Steel	E1HP5 Hastelloy C

Item	Description	Qty.	Applicable Part Number				
	Air Valve Assembly	1	E100				
1	Valve Body	1	E100A				
2	Air Diverter	1	E100G				
3	Valve Insert	1	E100H				
4	Valve Spool	1	E100B				
5	U-Cup	2	P98-104A				
6	End Cap	2	E500D				
7	End Cap O-Ring	2	E500E				
8	Staple Retainer	2	E500F				
9	Air Valve Gasket	1	E100J				
10	Sk Head Cap Screw	4	P24-208				
11	Center Section	1	E101A				
12	Main Shaft O-Ring	2	P50-403				
13	Muffler	1	VTM-4				
14	Pilot Spacer	5	P24-106P				
15	Pilot O-Ring	6	P24-107				
16	Shaft Retainer	2	E101B				
17	Self-Tapping Screw	4	E101C				
18	Pilot Shaft	1	P50-112				
19	Elastic Stop Nut	2	P24-108				
20	Shaft	1	P50-107	P50-108			
21	Inner Diaphragm Plate	2	V181C	V181TI			
22	Diaphragm (see below for material selection)	2	V183xx-1	V183TF-1 or V183TX			
22a	Back-Up Diaphragm	2	N/R	V183TB (use with V183TF-1)			
23	Outer Diaphragm Plate	2	V81B	SV181B	SV181TO	SV181TO	HV181TO
24	Discharge Manifold	1	V86	SV186	V86	SV186	HV186
25	Valve Ball (see below for material selection)	4	V191xx		V191TF		
26	Valve Seat	4	V90A	SV190	V90A	SV190	HV190
27	Valve Seat O-Ring (see below for material selection)	4	V90xx				
28	Discharge Manifold Bolt	4	V187A	SV189D	V187A	SV189D	SV189D
29	Washer	24	V189C	SV189C	V189C	SV189C	SV189C
30	Water Chamber	2	V85	SV185	V85	SV185	HV185
31	Water Chamber Bolt	16	V189A	SV189D	V189A	SV189D	SV189D
32	Inlet Manifold	1	V87	SV187	V87	SV187	HV187
33	Inlet Manifold Bolt	4	V187A	SV189D	V187A	SV189D	SV189D
34	Flange Nut	16	V185B	SV185B	V185B	SV185B	SV185B

Diaphragm Part Number & Material	Valve Ball Part Number & Material	Valve Seat O-Ring Part Number & Material
V183N-1 (Neoprene)	V191N (Neoprene)	V90BN (Buna-N)
V183BN-1 (Buna-N)	V191BN (Buna-N)	V90ND (Nordel)
V183ND-1 (Nordel)	V191ND (Nordel)	V90VT (Viton)
V183VT-1 (Viton)	V191VT (Viton)	
V183TPEXL-1 (XL)	V191TPEXL (XL)	
V183TPEFG (Hytrel FDA)	V191TPEFG (Hytrel FDA)	
V183TX (One Piece Teflon)		



1" Metallic Bolted Pump Exploded View



PARTS LIST

AIR VALVE ASSEMBLY

Item	Description	Qty	Aluminum
1	Valve Body	1	P50-102A
2	Valve Spool	1	P98-104
3	Valve Spool U-cup	2	P98-104A
4	End Cap	2	P98-300
5	End Cap Gasket	2	P98-110
6	Bearing Sleeve	2	P98-103
6A	Bearing Sleeve O-ring	2	P98-103A
7	Air Diverter	1	P98-105
8	Valve Insert	1	P98-106
9	Valve Gasket	1	P98-111
10	Valve Cap Screw	12	P24-208

AIR END ASSEMBLY

Item	Description	Qty	Aluminum
11	Center Section	1	P50-101SC
18	Pilot Shaft	1	P50-112
19	Pilot Shaft Spacer	5	P24-106
20	Pilot Shaft O-Ring	6	P24-107
21	Nut	2	P24-108
22	Shaft Retainer	2	E101B
25	Shaft Retainer Screw	4	P24-208
33	Muffler	1	VTM-4

DIAPHRAGM ASSEMBLY

Item	Description	Qty	TPE Rugged	Teflon Bonded	Teflon 2-Piece
34	Main Shaft O-Ring	2	P50-403	P50-403	P50-403
35	Main Shaft	1	P50-107	P50-108	P50-108
37	Inner Diaphragm Plate	2	V181C	V181TI	V181TI
38	Outer Diaphragm Plate	2	V81B, SV181B	SV181TO	SV181TO
40	Diaphragm	2	V183BN-1, V183N-1, V183ND-1, V183TPEXL-1, V183TPEFG-1, V183VT-1	V183TF-1	V183TX
41	Back-up Diaphragm	2	N/R	V183TB	N/R

WET END ASSEMBLY

Item	Description	Qty	Aluminum	Stainless Steel	Hastelloy C
44	Water Chamber	2	V85	SV185	HV185
45	Water Chamber Bolt	16	V189A	SV189A	SV189A
47	Water Chamber Washer	16	V189C	SV189C	SV189C
48	Water Chamber Nut	16	V185B	SV185B	SV185B
50	Valve Seat	4	V90A	SV190	HV190
51	Valve Seat O-Ring	4	V90BN, V90ND, V90VT, SV190TF		
52	Valve Ball	4	V191BN, V191N, V191ND, V191TF, V191TPEFG, V191TPEXL, V191VT		
53	Discharge Manifold	1	V86	SV186	HV186
54	Inlet Manifold	1	V87	SV187	HV187
63	Manifold Bolt	8	V187A	SV189A	SV189A
64	Manifold Washer	8	V189C	SV189C	SV189C
65	Manifold Nut	8	V185B	SV185B	SV185B

EXPLODED VIEWS

Exploded View shows Rugged Diaphragm

Teflon Diaphragms

