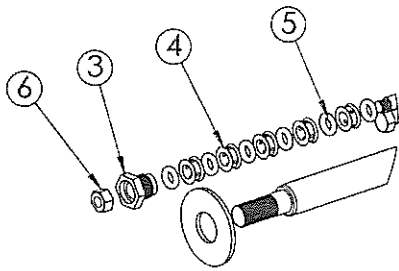


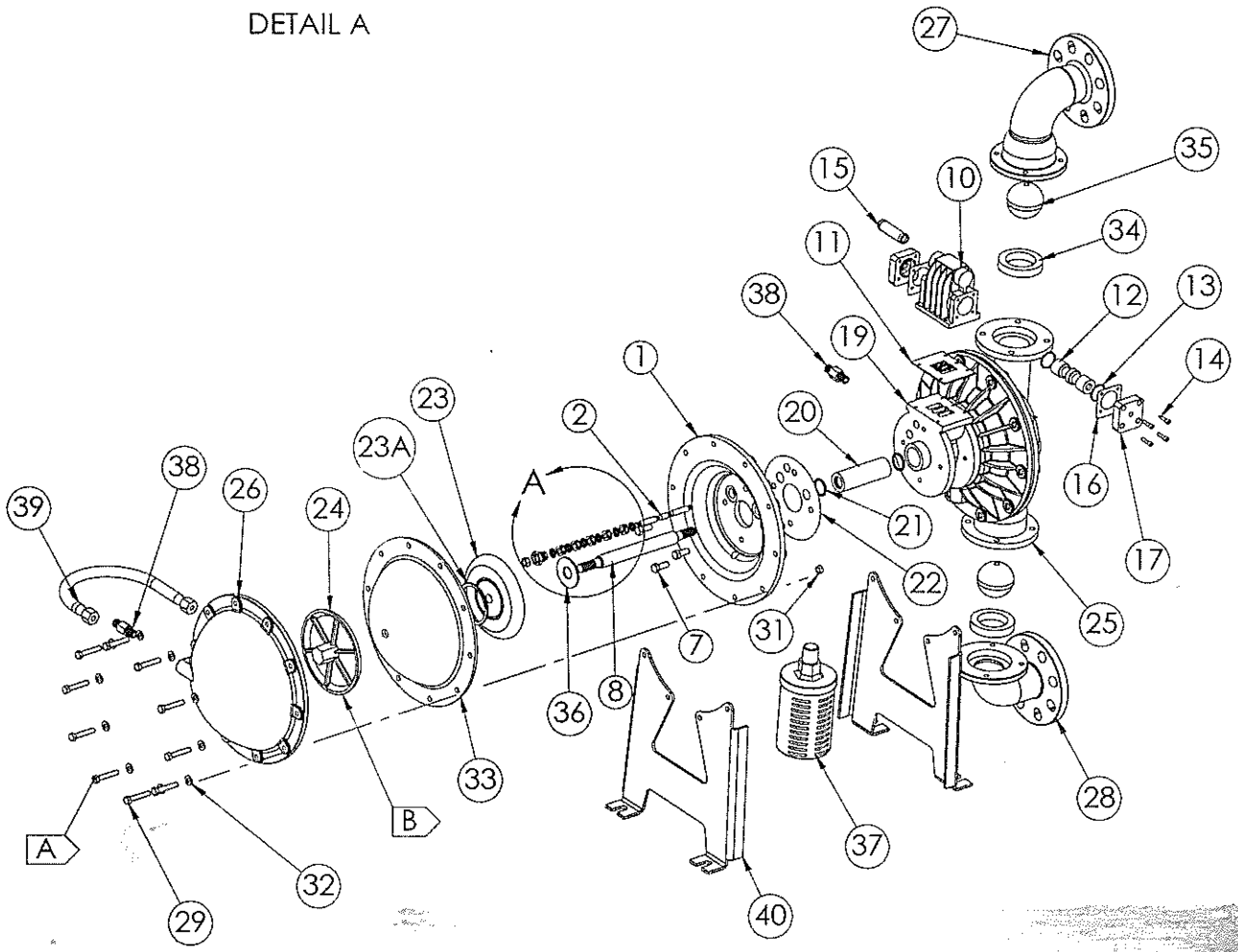
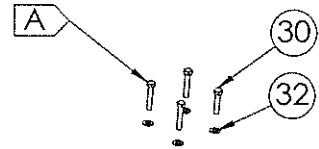
# E2, 2" High Pressure Pumps Parts List

			Pump Description
			E2 Bolted, 2" Stainless Steel & Cast Iron High Pressure Pumps
			With Rubber Elastomers
Item	Description	Qty	
1	Air Chamber	2	P24-111
2	Pilot Shaft	1	P24-104
3	Bushing, Threaded	2	P24-105
4	Pilot Valve Spacer Rings	5	P24-106
5	Pilot Valve O-Rings (90 Durometer)	6	P24-107
6	Stop Nut	2	P24-108
7	Bolt	8	P24-110
8	Main Shaft	1	P24-103
9	Valve Assembly (Items 10-17)	1	P34-200
10	Air Valve & Sleeve Assembly	1	P34-211
11	Gasket, Valve Body	1	P24-202
12	Spool, Air Supply	1	SP34-204
13	Glyd Ring Assembly	2	P34-204F
14	Cap Screw	13	P24-208
15	Air Valve Screen	1	P24-210
16	Gasket, End Cap	2	P24-205
17	End Cap Assembly	2	P34-300
18	Center Block Assembly (Items 19-22)	1	P24-400HP
19	Center Block	1	P24-401HP
20	Bearing Sleeve	1	P24-402
21	Center Block O-Ring	2	P24-403
22	Center Block Gasket	2	P24-109
23	Inner Diaphragm Plate	2	V226B
24	Outer Diaphragm Plate	2	SVB226
25	Water Chamber	1	SV235FB (Stainless Steel)
26	Secondary Air Chamber	1	V235HP
27	Discharge Manifold	1	SV236HP (Stainless Steel)
28	Suction Manifold	1	SV237HP (Stainless Steel)
29	Bolt, Water, Chamber, 2" Long	20	V187A-GRD8
30	Bolt, Manifold, Short, 1 1/2" Long	8	V189D-GRD8
31	Nut, Hardened Steel	28	V185B-GRD8
32	Washer, Hardened Steel	56	V189C-HRD
33	Diaphragm	2	V227xx (See Chart for Elastomer Code Suffix)
34	Valve Seat	2	V240xx (See Chart for Elastomer Code Suffix)
35	Valve Ball	2	V241xx (See Chart for Elastomer Code Suffix)
36	Bumper Washer	2	P24-501
37	Muffler	1	VTM-8
38	SAE x JIC Straight Fitting	2	A4105-6-8
39	20" Hose Assembly	1	KART-140-08-08-20
40	Mounting Bracket	2	P97-390

Elastomer Suffix Codes
N - Neoprene
BN - Buna-N
VT - Viton



DETAIL A



Typical Torque Requirements  
 A = 150 inch lbs  
 B = 50 foot lbs



## PARTS LIST

REF No.	PART NUMBER			DESCRIPTION	QTY
	ALUMINIUM	ST. STEEL	COMMON		
1			40-225	BASE LEG	2
2			1B034	CAP - BASE LEG	4
3			D490	SKT CAP SCREW M8 x 16	4
4	25-106	25-108		SUCTION MANIFOLD	1
5			SEE TABLE	O-RING ◆	4
6			SEE TABLE	VALVE SEAT ◆	4
7			SEE TABLE	VALVE BALL ◆	4
8	25-084	25-073		OUTER COVER	2
9			25-094	BUMPSTOP	1
10			SEE TABLE	DIAPHRAGM - FLUID ◆	2
11			25-086	INNER COVER - FLUID SIDE LH	1
12	25-107	25-109		DISCHARGE MANIFOLD	1
13			G242	O-RING □	4
14			D216	C'SUNK SKT CAP SCREW M8 x 20	16
15			25-110	INNER COVER - AIR CHAMBER LH	1
16			25-092	DIAPHRAGM - AIR CHAMBER □	1
17			25-111	INNER COVER - AIR CHAMBER RH	1
18			40-113	VALVE CHEST	1
19			40-046	ELBOW	1
20			25-085	INNER COVER - FLUID SIDE RH	1
21			25-080	SPACER	1
22			25-083	THRUST WASHER	1
23			25-104	AIR HOSE - LH □	1
24			25-102	BACKPLATE - AIR CHAMBER	1
25			25-082	LOCKING PLATE	1
26			25-105	AIR HOSE - RH □	1
27			25-103	SWIVEL ELBOW ADAPTOR	4
28			D222	SKT CAP SCREW M8 x 30	8
29			C165	SPRING WASHER M8	12
30			D114	SKT CAP SCREW M8 x 35	8
31			C013	WASHER M8	48
32			A005	HEX. HD. BOLT M8 x 35	16
33			B003	NUT M8	24
34			SA10104	FRONTPLATE ASSY.	2
35			1A007	BACKPLATE	2
36			1A009	BUMPSTOP	1
37			40-047	SILENCER	1
38			G339	O-RING □	8

## PARTS LIST - cont.

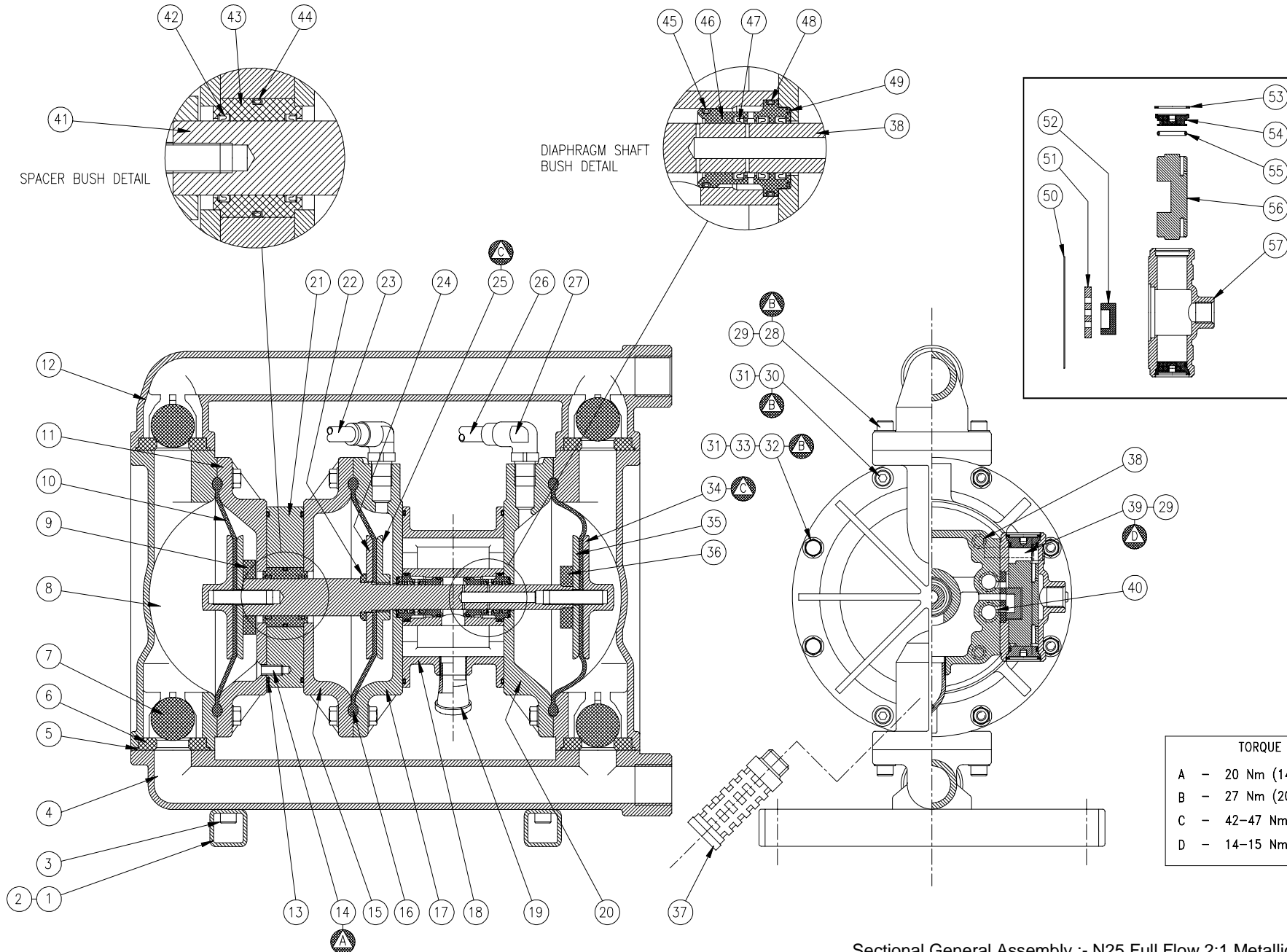
REF No.	PART NUMBER			DESCRIPTION	QTY
	ALUMINIUM	ST. STEEL	COMMON		
39			D337	SKT CAP SCREW M8 x 40	4
40			G243	O-RING □	2
41			25-081	DIAPHRAGM SHAFT	1
42			50-206	SHAFT SEAL □	2
43			25-090	SPACER BUSH	1
44			G373	O-RING □	1
45			G189	O-RING □	2
46			25-089	SHAFT BUSH	2
47			25-091	SHAFT SEAL □	6
48			G245	O-RING □	2
49			G367	O-RING □	2
50			40-204	GASKET □	1
51			40-005	VALVE PLATE	1
52			40-004	SLIDE VALVE	1
53			H501	CIRCLIP ●	2
54			40-207	VALVE BLOCK PLUG ●	2
55			G512	O-RING □●	2
56			40-192	VALVE CARRIER ●	1
57			40-218	VALVE BLOCK ●	1

### ELASTOMER TABLE

REF	DESCRIPTION	BUNA-N	EPDM	VITON	NEOPRENE	POLYESTER	QTY
10	DIAPHRAGM	25-014	25-012	25-013	25-023	25-015	2
7	VALVE BALL	1A049	1A080	1A081	1A079	-	4
7	VALVE BALL - WEIGHTED	1A072	1A092	1A093	1A091	-	4
6	VALVE SEAT	25-011	25-009	25-010	25-029	-	4
5	O-RING	G068	G069	G070	G067	-	4

REF	DESCRIPTION	SANTOPRENE®	PTFE	ST.STEEL	QTY
10	DIAPHRAGM+SUPPORT	25-045	25-016+25-014	-	2
7	VALVE BALL	-	1A002	1A197	4
6	VALVE SEAT	-	-	25-097	4
5	O-RING	-	G431	-	4

- ◆ - These items are available in a recommended spares kit. Please refer to your local stockist / distributor for details.
  - - These items are available in a recommended spares kit - SA10459 - Air side Kit, including Seal Guide (see Technical Notes) Seal Guide can be ordered separately if required, Note part No. 25-114
  - - These items are available as Sub-Assy spare :- SA10463
- Santoprene is a registered tradename of Monsanto Corp.



TORQUE SETTINGS	
A	- 20 Nm (14.6 lbs/ft)
B	- 27 Nm (20 lb/ft)
C	- 42-47 Nm (30-35 lb/ft)
D	- 14-15 Nm (10.3-11lb/ft)

Sectional General Assembly :- N25 Full Flow 2:1 Metallic Pump  
 Refer to page 6 : Parts List table for item Ref. Nos.

## PARTS LIST

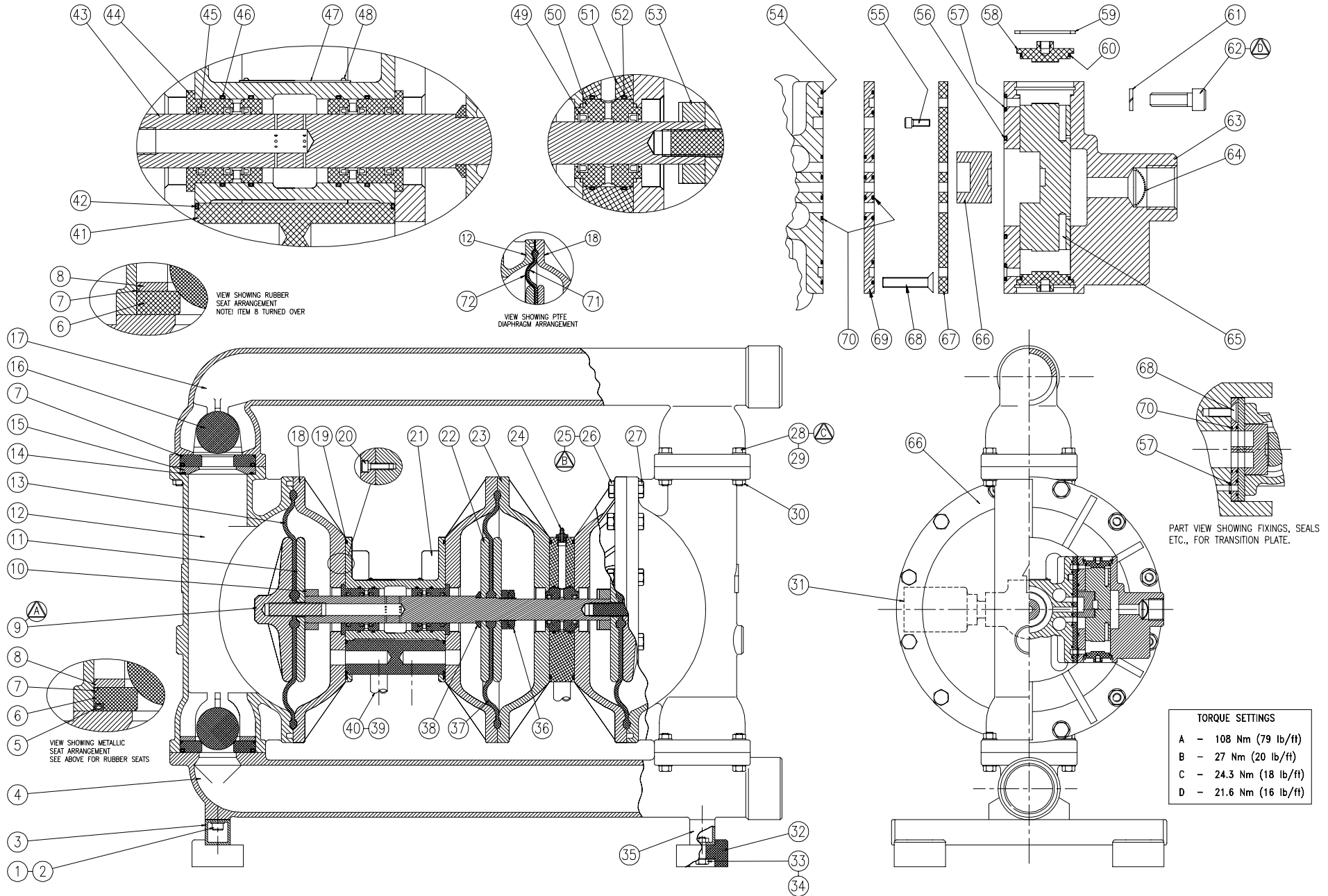
REF No.	PART NUMBER		DESCRIPTION	QTY
	ALUMINUM / COMMON PARTS	ST. STEEL		
1	D172	D314	SOCKET CAP SCREW M8 x 20	4
2	C013	C173	WASHER M8	4
3	1B024	50-116	BASE LEG	2
4	50-234	50-236	SUCTION MANIFOLD - NPT	1
5	SEE TABLE		O-RING (METALLIC SEATS ONLY) ◆	4
6	SEE TABLE		VALVE SEAT ◆	4
7	SEE TABLE		O-RING ◆	4
8	50-082		OUTER COVER RING	2
9	50-005	50-222	FRONTPLATE	2
10	50-198	50-272	BUMPSTOP	2
11	1B021		BACKPLATE	2
12	50-052		OUTER COVER	2
13	SEE TABLE		DIAPHRAGM ◆	2
14	SEE TABLE		O-RING	2
15	50-081		OUTER COVER RING	2
16	SEE TABLE		CHECK VALVE	4
17	50-235	50-237	DISCHARGE MANIFOLD - NPT	1
18	50-194	50-268	INNER COVER	2
19	G112		O-RING □	4
20	D028		SOCKET CAP SCREW M8 x 25	24
21	50-193	50-269	VALVE CHEST	1
22	50-197		BACKPLATE	2
23	1B026	1B087	INNER COVER - AIR CHAMBER	2
24	AP50-45		GREASE NIPPLE	1
25	B027	B147	NUT M10	36
26	C026	C146	WASHER M10	36
27	A063	A152	BOLT M10 x 40	36
28	A006	A181	BOLT M8 x 40	16
29	C013	C173	WASHER M8	32
30	B003	B043	NUT M8	16
31	1B114		SILENCER	1
32	1B025		BASE PAD	4
33	A041	A042	BOLT M8 x 30	4
34	C126	C126	WASHER M8	4
35	1B034		BASE LEG CAP	4
36	50-200		LOCK-NUT	2
37	50-210		DIAPHRAGM - AIR CHAMBER □	1
38	50-199		THRUST WASHER	1

## PARTS LIST - cont

REF No.	PART NUMBER		DESCRIPTION	QTY
	ALUMINUM / COMMON PARTS	ST. STEEL		
39	50-204	50-270	AIR HOSE ASSEMBLY	2
40	50-205	50-271	HEX. ADAPTOR	4
41	50-201	50-267	AIR DISTRIBUTION MANIFOLD	1
42	G270		O-RING □	2
43	50-195		DIAPHRAGM SHAFT	1
44	50-196		DIAPHRAGM SHAFT BUSH	2
45	50-206		DIAPHRAGM SHAFT SEAL □	6
46	G167		O-RING □	4
47	1B032		NAMEPLATE	1
48	K076		HAMMERDRIVE SCREW	2
49	50-207		DIAPHRAGM SHAFT SEAL □	2
50	50-203		SPACER BUSH	1
51	50-202	50-266	SPACER	1
52	G057		O-RING □	2
53	1B015		BUMPSTOP	2
54	G205		O-RING □	2
55	D177	D322	SOCKET CAP SCREW M4 x 10	2
56	G206		O-RING □	1
57	G207		O-RING (ALL ST. STEEL MODELS :- 4 OFF) □	2
58	1C021		VALVE BLOCK PLUG	2
59	H125		CIRCLIP	2
60	G130		O-RING □	2
61	C173	C173	WASHER	4
62	D309	D309	SOCKET CAP SCREW M8 x 30	4
63	1B215		VALVE BLOCK - NPT	1
64	1B135		FILTER	1
65	1B124		VALVE CARRIER	1
66	1B125		SLIDE VALVE	1
67	1B126		SLIDE VALVE PLATE	1
68	D311		SOCKET C'SUNK SCREW (SS MODELS ONLY)	4
69	1B137		TRANSITION PLATE (SS MODELS ONLY)	1
70	1B123		PORT SEAL (ALL ST. STEEL MODELS - 2 OFF) □	1
71	1B001		DIAPHRAGM SUPPORT ◆	2
72	1B039		DIAPHRAGM ◆	2

◆ - These items are available in a recommended spares kit. Please refer to your local stockist / distributor for details.

□ - These items are available in a recommended spares kit - SA10406 - Air Side Kit. All Stainless Steel models - Air Side Kit :- SA10481



Sectional General Assembly :- N2B Full Flow 2:1 Metallic Pump  
Refer to pages 6 & 8 : Parts List table for item Ref. Nos.