

BEDU
≡ POMPEN ≡

ELECTRIC PUMPS

ECC JET SERIES



made for your process

ECC JET SERIES

These pumps are self-priming centrifugal pumps of the jet type, suitable for pumping and pressurizing clean water up to 60 °C. It is equipped with an ejector that guarantees high suction and self-priming capability and operation even in the presence of gas dissolved in the liquid. The ECC JET serie is made of stainless steel AISI 304 with a techno polymer impeller and diffuser. It is equipped with a 12V or 24V direct current motor.

It is particularly suitable for the uses:

- transport (tankers, road machines, water systems on board)
- domestic environment (water systems, irrigation)

Models:

Product	Connections	Power	Supply	Q Max	H Max
ECC 12 JET	1 "	0,5KW	12V	62 lt/min	32 m
ECC 24 JET	1 "	0,5KW	24V	62 lt/min	38 m



www.bedu.eu

Hydraulic specifications

- Maximum flow rate: 62 lt / min
- Maximum head: 32 m at 12V and 38 m at 24V
- Shaft seal: Mechanical seal Graphite/Ceramic/NBR
- Maximum priming height: 6 m
- Threaded ports: 1 " bsp
- Maximum liquid density 1.1 kg / dm³ free of hard particles in suspension (e.g. sand)
- Maximum temperature 60 ° C
- Not suitable for aggressive liquids (check chemical resistance of the materials)
- Not suitable for the transfer of petrol, solvents and, in general, in environments with risk of explosion and fire.
- Possibility to operate for short periods with closed pipes
- During installation, the pump must be filled with liquid, subsequently this operation is no longer necessary.

Technical specifications

MATERIALS

- Pump body : stainless steel AISI 304
- Shaft : stainless steel AISI 303
- Impeller : Technopolymer
- Diffuser : Technopolymer
- O-ring : NBR
- Mechanical seal : Ceramic / Graphite / NBR

ENGINE

- Powered by a 12V or 24V DC motor
- Equipped with MEC 63 motor at 2700 rpm from 0.5 KW
- Degree of protection IP 23
- Power supply connection via terminal board on the motor

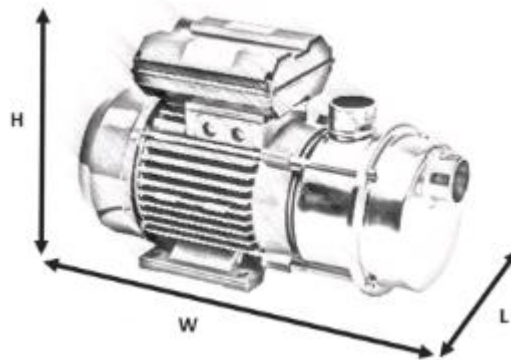


www.bedu.eu

Pump characteristics				
	Connections	Priming ability	Q Max	H Max
ECC 12 JET	1 "	6 m	62 lt/min	32 m
ECC 24 JET	1 "	6 m	62 lt/min	38 m

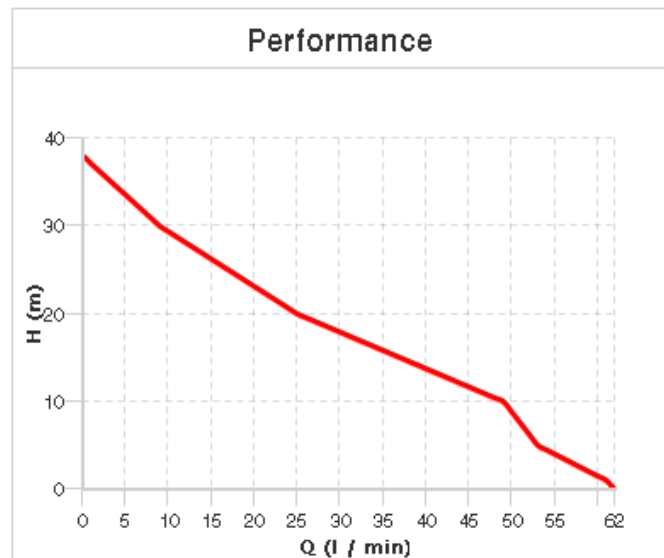
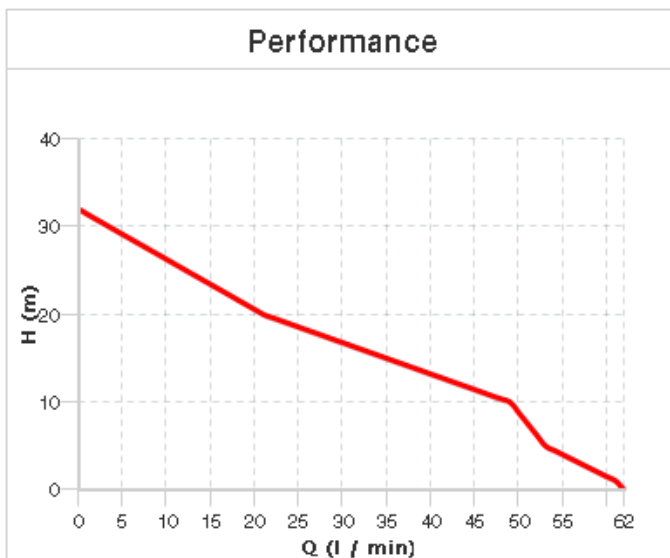
Flow rate (l/min)					
	1m	5m	10m	20m	30m
ECC 12 JET	61 lt/min	53 lt/min	49 lt/min	21 lt/min	
ECC 24 JET	61 lt/min	53 lt/min	49 lt/min	25 lt/min	9 lt/min

Overall dimensions				
	W	L	H	Weight
ECC 12 JET ECC 24 JET	380 mm	170 mm	190 mm	5,7 kg



ECC 12 JET

ECC 24 JET



Characteristics referring to operation with water at 20 °

www.bedu.eu