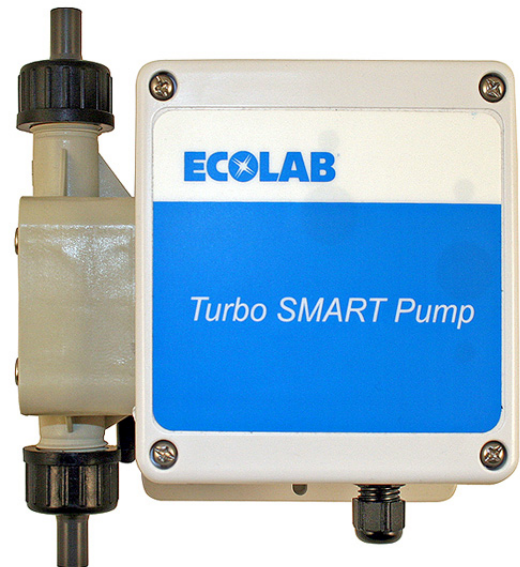


- **Motor-driven diaphragm pump with 24 V DC drive**
- **Nearly pulsation-free metering by the use of step motor technology**
- **Metering performance adjustment in the range 1:50 thanks to integrated control dial**
- **3 different operating modes are possible**



The Turbo SMART metering pump is an electro-motive diaphragm metering pump for delivery of uncontaminated, non-abrasive metering media.

The stepping motor used to drive the diaphragm offers the possibility of setting the length of duration differently for the suction and metering strokes.

Therefore, the metering stroke length and therefore the dosage rate can be infinitely adjusted in the range 1:50 via an integrated control dial in the control PCB, while the duration of the suction stroke remains unchanged.

If a correspondingly long metering stroke duration is selected, this results in almost pulsation-free metering.

In addition, by selecting three different operating modes, the pump's motor speed and suction stroke speed can be flexibly adapted to high product viscosities or difficult suction conditions.

The Turbo Smart Pump therefore allows for an extremely wide range of uses and can meet even the most difficult requirements.

Technical Data:

General:

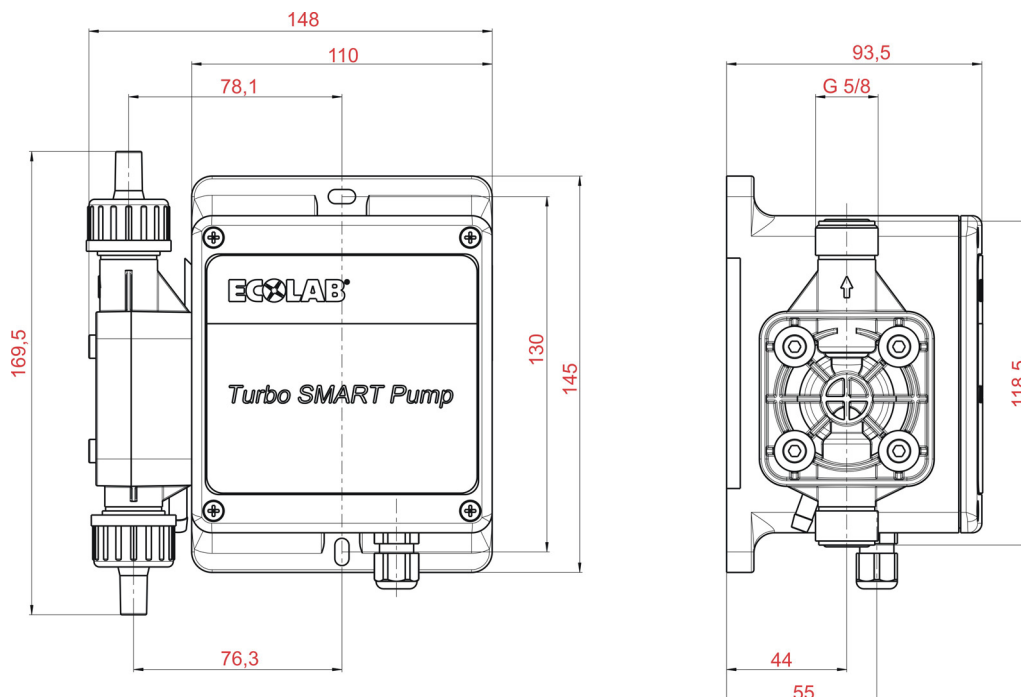
| | |
|--------------------------------|-----------------------|
| Pump capacity [l/h]: | 0.3 - 15 |
| Metering back-pressure [bar]: | 2 |
| Max. suction height [m Ws]: | 3 |
| Max. ambient temperature [°C]: | 10 – 40 |
| Hose connection [mm]: | 10/16 (int.Ø / ext.Ø) |
| Power supply [V DC]: | 24 |
| Current consumption [A]: | 0.5 |
| Safety type: | IP 65 |

All values at 50 Hz. All data refer to water temperature of 20° C according to the instructions of the technical manual, subject to!

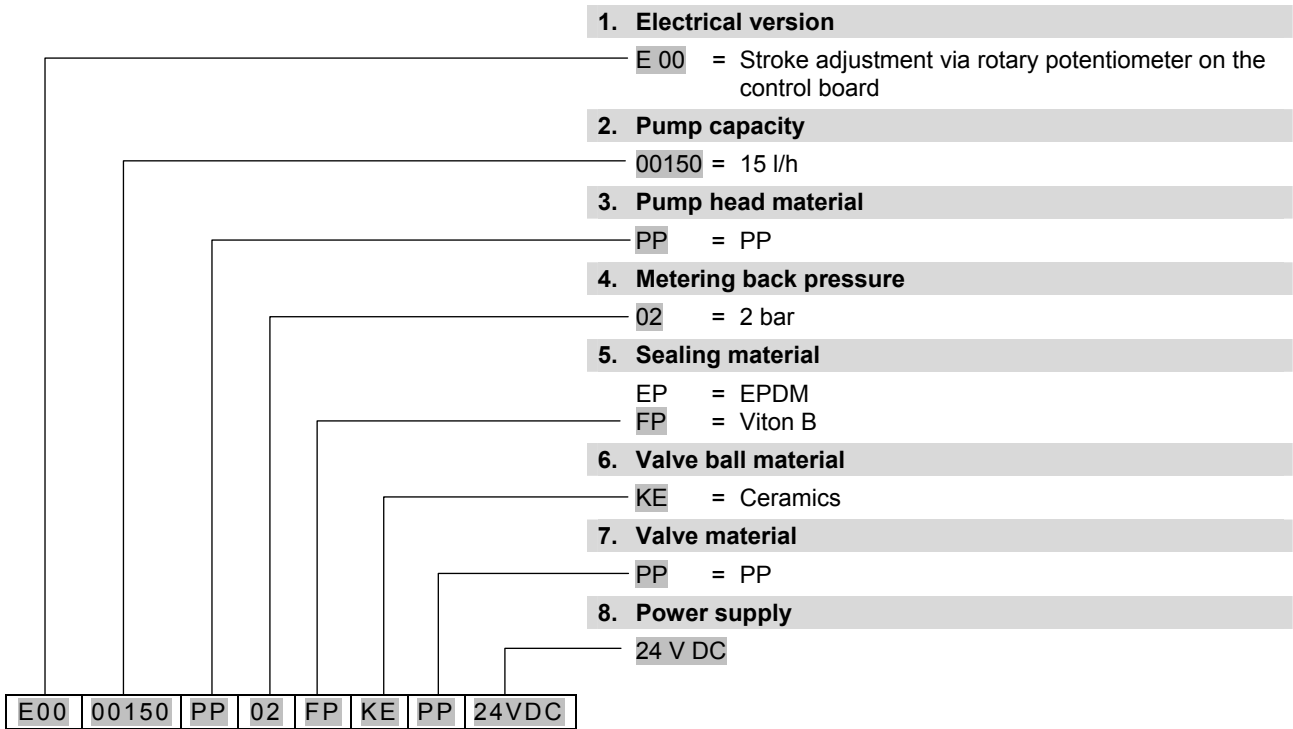
Material:

| Component | Pump Type | |
|--------------|-------------|--------|
| | 106010 | 106020 |
| Housing: | ABS | |
| Pump head: | PP | |
| Diaphragm: | EPDM /PTFE | |
| Valve body: | PP | |
| Valve balls: | Ceramics | |
| Seals: | EPDM | FPM |
| Colour: | Ecolab grey | |

Dimensions:



Pump Code:



Ordering Data:

| Article | Version | Material-No. |
|------------------|--------------------------|--------------|
| Turbo SMART Pump | E0000150PP02EPKEPP 24VDC | 106010 |
| | E0000150PP02FPKEPP 24VDC | 106020 |

Extent of supply: Hose connection material 10/16 mm, operating instruction

