



Centrifugal Pumps



CN series

Standard design

Closed coupled single-stage centrifugal pumps. A range of 3 models with open impellers, independent shafts and IEC standard motors.

Optimised design to ensure high levels of hygiene - The absence of product hold-up and no dead-legs ensures efficient cleaning by standard CIP methods and effective sterilisation by SIP.

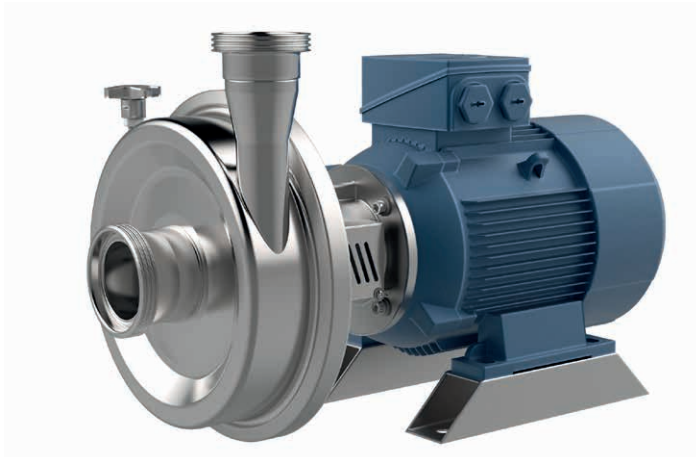
Wetted parts are in pressed polished plate and investment cast electropolished CF3M 1.4409 / AISI 316L (1.4404) stainless steel.

Investment cast and electro-chemical polishing. Internal finishes of 0,5 micron Ra are available on request..

Flow rates up to 75 m³/h, heads of more than 60 m.
Maximum inlet pressure : 4 bar.
Temperature range: -10°C to 120°C.



Pump with shroud and stainless steel adjustable feet.



Pump without shroud and stainless steel motor shims.



Open impeller with reversed blades with vast expansion designed to optimize the hydraulic efficiency.

Seals:

Hygienic mechanical seals with seats to EN 12756, ISO 3069 standards.

Elastomers (US FDA):

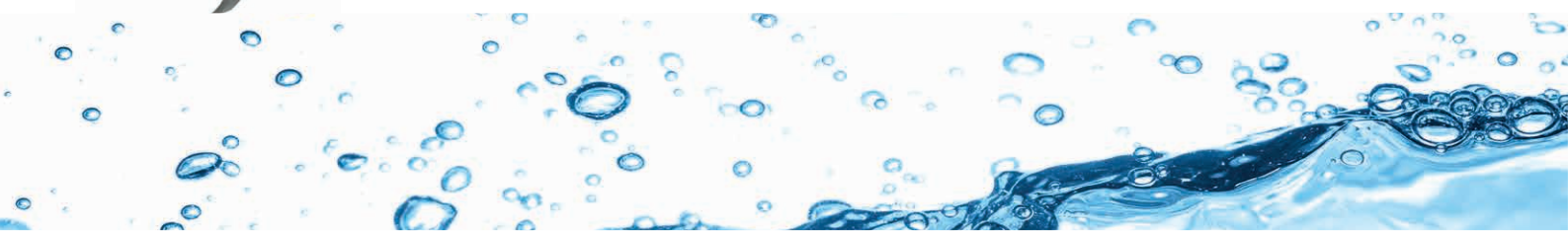
EPDM
Fluorocarbon (Viton)
Silicone
P.T.F.E. (FEP)

Connections:

DIN - SMS - IDF - BS / RJT - DS - CLAMP and EN 1092-1 PN16 flanges and on request available for other international standards.

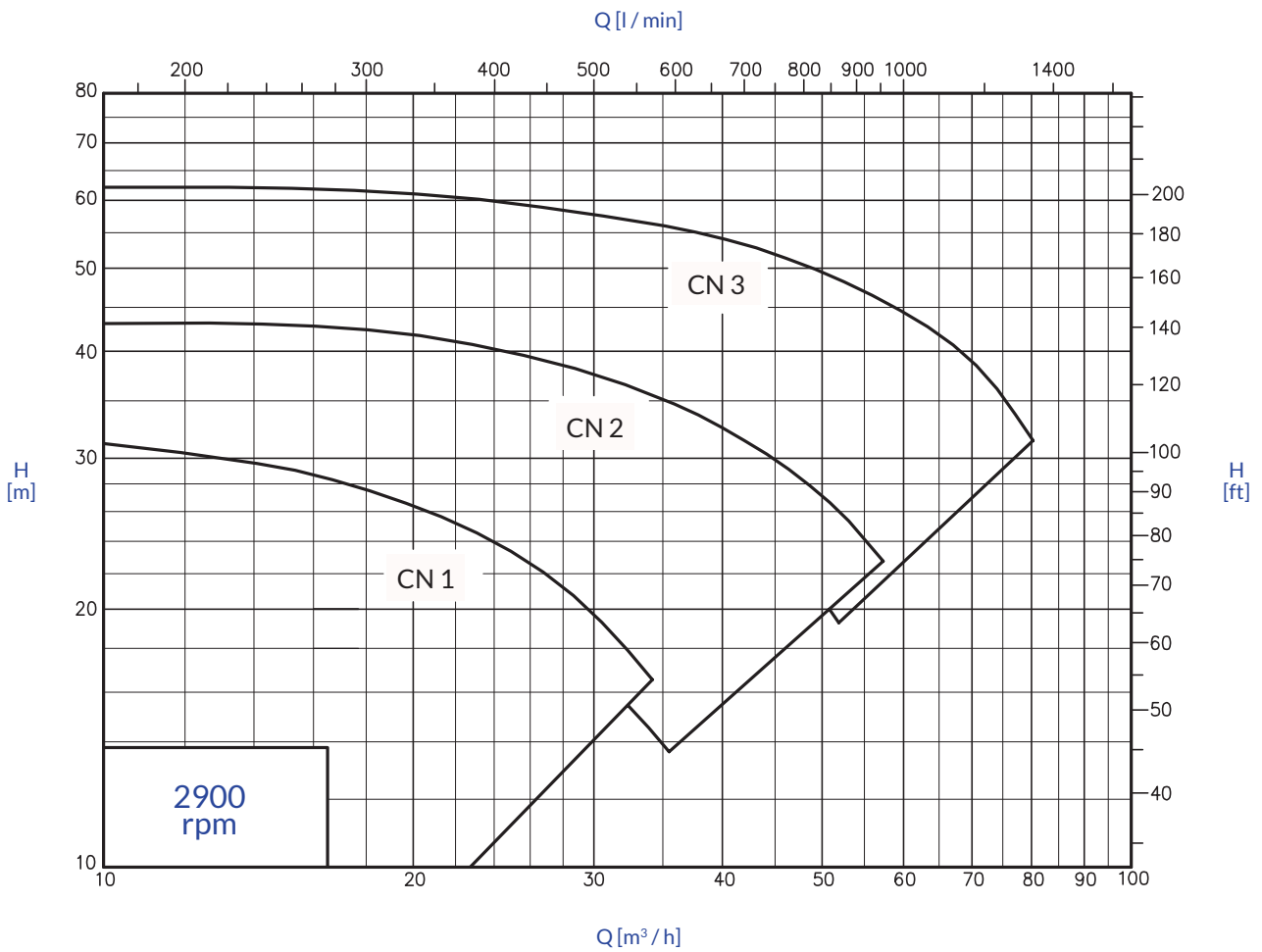
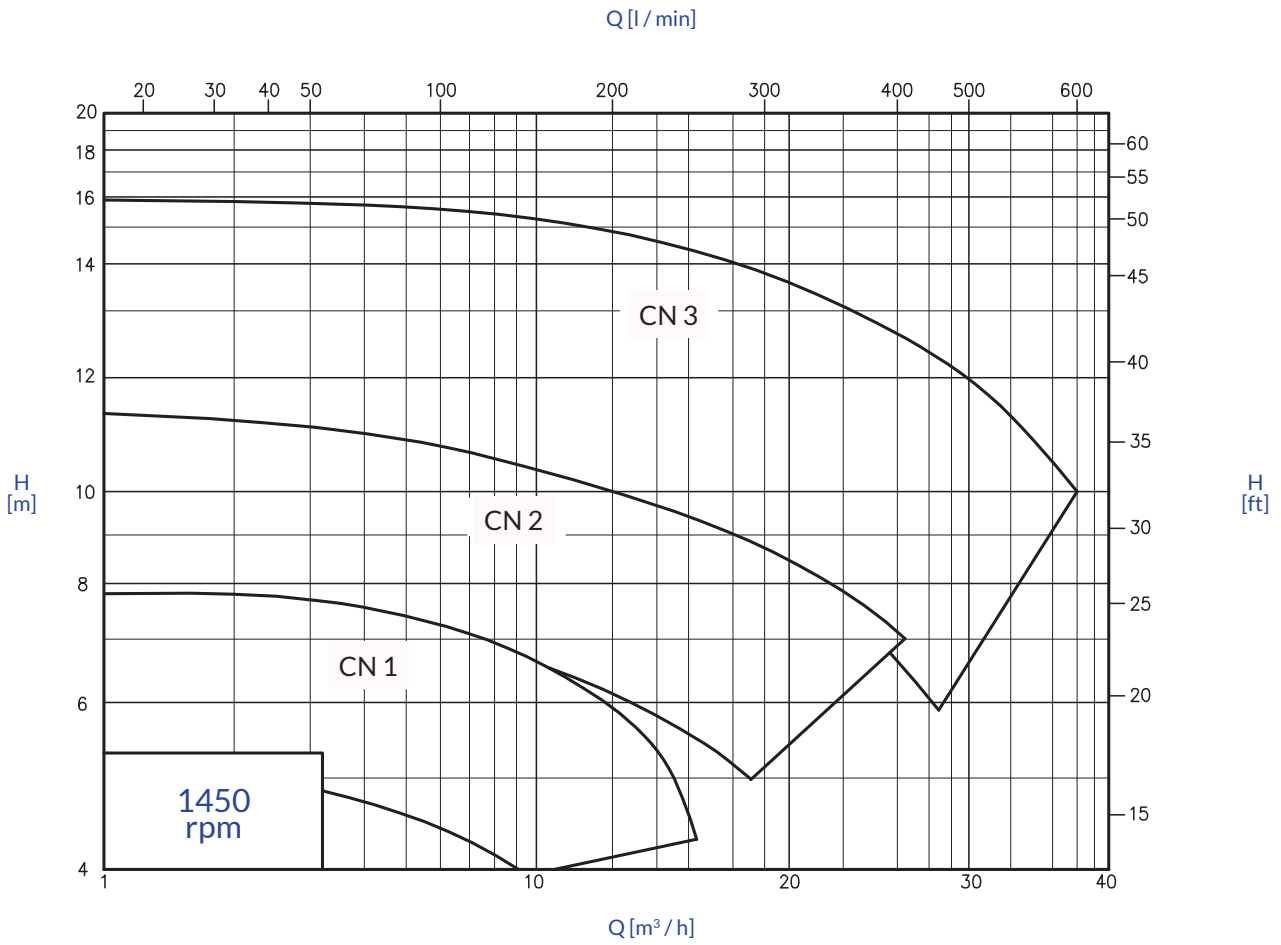
Applications

Food processing, dairy, beverage, chemical, cosmetics and pharmaceutical industries. The open impeller allows a large range of products such as purified water, juices, creams, ice-cream mix, milk, wine, spirits, whey and WFI to be safely transferred.



GENERAL DIAGRAMS

Performance applies to H₂O at 20 °C, 1013 mbar Data not binding

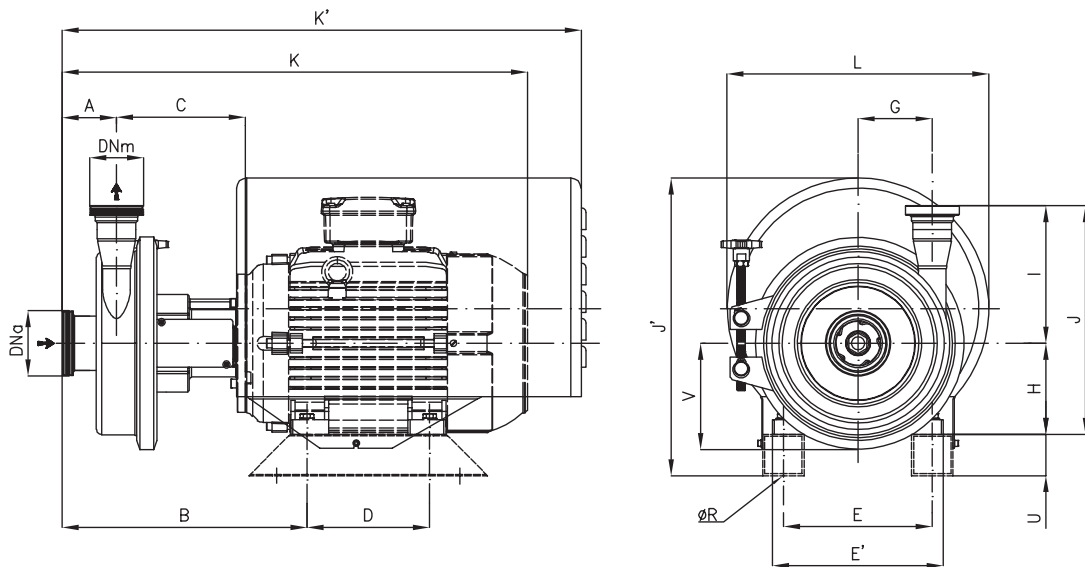


All stainless construction, with standard motor, separate pump shaft with clamp coupling, internal product seal and an open impeller.



The clamp casing and seal design allow quick disassembly for inspection, cleaning and maintenance. It also enables the delivery port to be rotated to any position for easy installation and drainage.
Motor shroud.

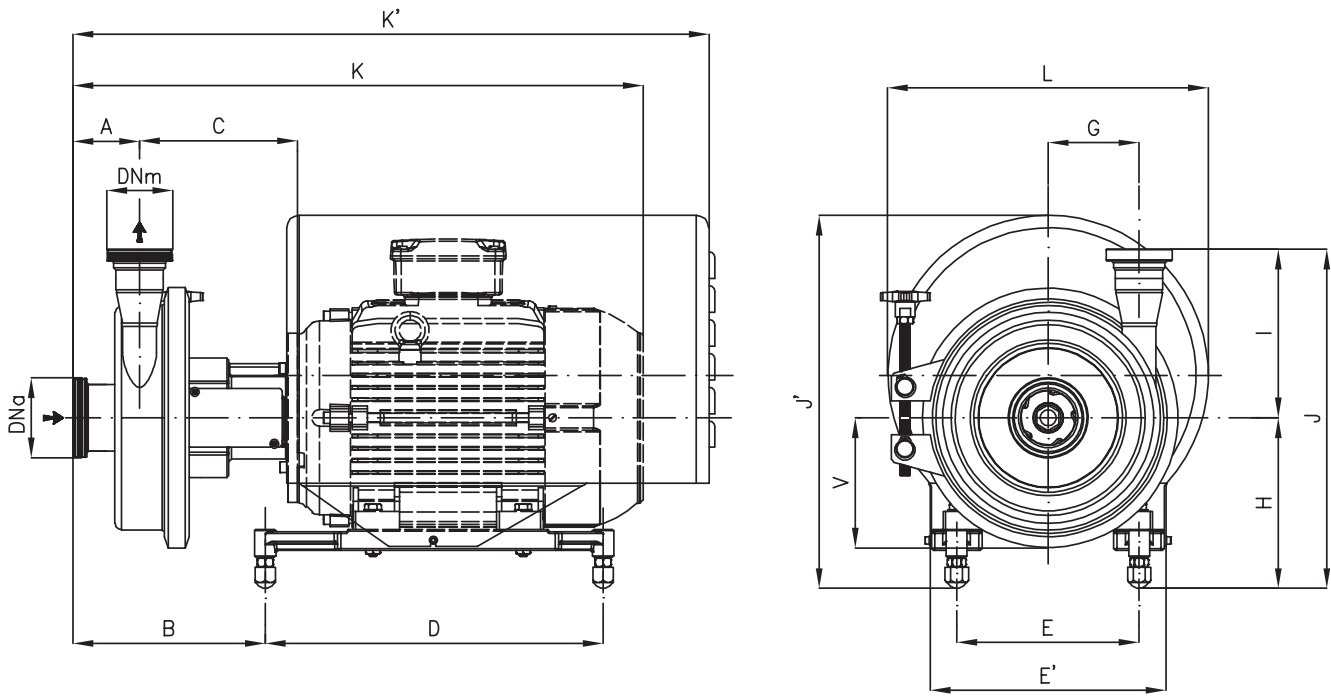
OVERALL DIMENSIONS



Dimensions not binding - DN = DIN 11851 male threaded connections with standard IEC/EN motors

Pumps	IEC motors size:	DNa	DNm	A	B	C	D	E	E'	G	H	K	K'	ØR	I	J	J'	L	U	V																				
CN 1	80	50	40	73	277	153,5	100	125	155	86	80	463	584	10	183	263	286	303	40	127																				
	90				282,5			140	165		90	501	597			273	318																							
	100				319,5			160	196		100	572	673			283	389																							
	112				183,5			190	226		112	591	744			295	402																							
	132 S							357,5	178		216	256	132			627	744				315	412	380	60																
CN 2	80	65	50	79	286	157	100	125	155	108	80	472	593	10	200	280	286	303	40	154																				
	90 S				292			140	165		90	508	606			290	317																							
	90 L				187			125	160		196	100	580			683	300				388																			
	100							329	140		190	226	112			598	683				312	400																		
	112				404			217	254		254	300	160			778	911				15	360	528	473	50	332	432	380	60											
	132 S																													355	140	216	256	132	635	753	332	432	380	60
	132 M																													178	216	256	132	673	753	332	432	380	60	
160	404	217	254	300	160	778	911	15	360	528	473	50																												
CN 3	90 S	80	65	81	296	159	100	140	164	129	90	519	609	10	255	345	318	303	40	179																				
	90 L				125			160	100		585	687	369			50																								
	100				189			140	190		112	604	687			369	50																							
	112							140	190		112	604	687			369	50																							
	132 S				358,5			188,5	140		216	256	132			640	757				12	387	432	380	60															
	132 M																									178	216	256	132	678	757	387	432	380	60					
	160																									407,5	218,5	254	254	300	160	784	915	15	415	588	473	50		

OVERALL DIMENSIONS



Dimensions not binding - DN = DIN 11851 male threaded connections with standard IEC/EN motors

Pumps	IEC motors size:	DNa	DNm	A	B	C	D	E	E'	G	H	K	K'	I	J	J'	L	V	
CN 1	80	50	40	73	210	153,5	270	138	213	86	160	463	584	183	350	333	303	127	
	90											501	597		343	348	303		
	100											170	572		673	353	409		369
	112											182	591		744	365	422		380
	132 S											202	627		744	385	425		380
CN 2	80	65	50	79	219	157	270	140	213	108	185	472	593	200	367	333	303	154	
	90											508	606		385	372	303		
	100											194	580		683	394	433		369
	112											206	598		744	406	445		380
	132 S											202	635		753	402	442		380
	132 M											202	673		753	402	442		380
CN 3	90	80	65	81	223	159	270	140	213	129	185	519	609	255	438	372	303	179	
	100											585	687		449	433	369		
	112											205	604		757	460	433		369
	132 S											227	640		757	482	467		380
	132 M											227	678		757	482	467		380
	160											211	784		915	466	528		473