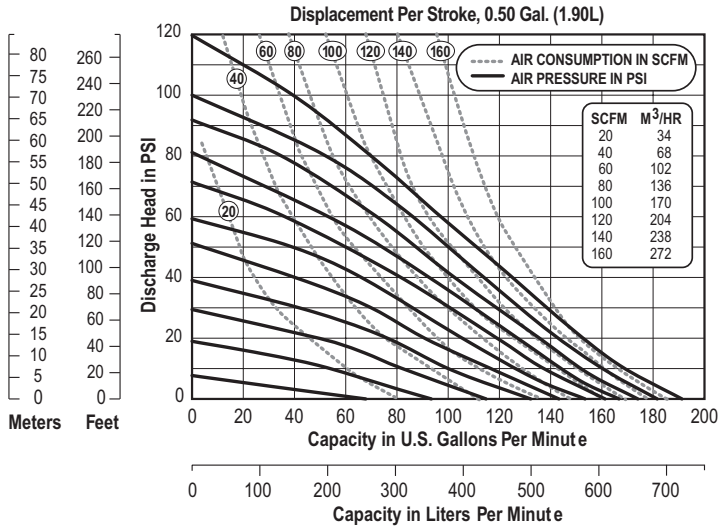


# U2 DATA SHEET

## SPECIFICATIONS & PERFORMANCE

## 2" Bolted Plastic with Plastic Center Sections

### PERFORMANCE



NOTE: Performance based on the following: elastomeric fitted pump, flooded suction, water at ambient conditions. The use of other materials and varying hydraulic conditions may result in deviations in excess of 5%.

### SPECIFICATIONS

#### Flow Rate

Adjustable to . . . 0-192 gpm (727 lpm)

#### Port Size

Suction . . . 2" ANSI 150 Class (DIN 50)

Discharge . . . . . 2" ANSI 150 Class (DIN 50)

Air Inlet . . . . . 1/2" NPT

Air Exhaust . . . . . 3/4" NPT

#### Suction Lift (Dry)

Rubber . . . . . 20' (6.10 m)

PTFE . . . . . 10' (3.05 m)

#### Max Solid Size (Diameter)

. . . . . 1/4" (6 mm)

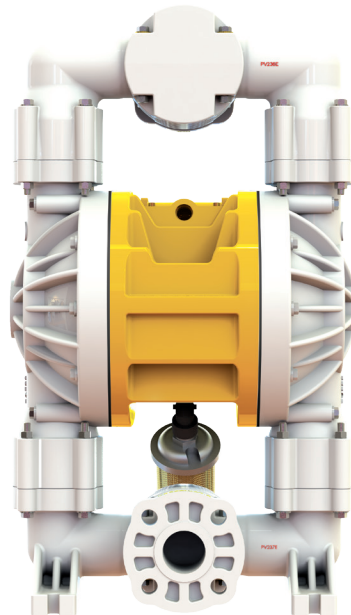
#### Shipping Weights

Polypropylene . . . . . 67 lbs (30 kg)

. . . w/ center port option 71 lbs (31.8)

PVDF . . . . . 93 lbs (42 kg)

. . . w/ center port option 100 lbs (45.1)



**VERSAMATIC®**

**BEDU**  
≡ POMPEN ≡

Warren Rupp, Inc. | A Unit of IDEX Corporation  
800 North Main Street | Mansfield, OH 44902 USA  
Phone: 419.526.7296 | Fax: 419.526.7289

[VERSAMATIC.COM](http://VERSAMATIC.COM)

u2nsm-rev0519

©Copyright 2019 Warren Rupp, Inc. All Rights Reserved.

# U2 DATA SHEET

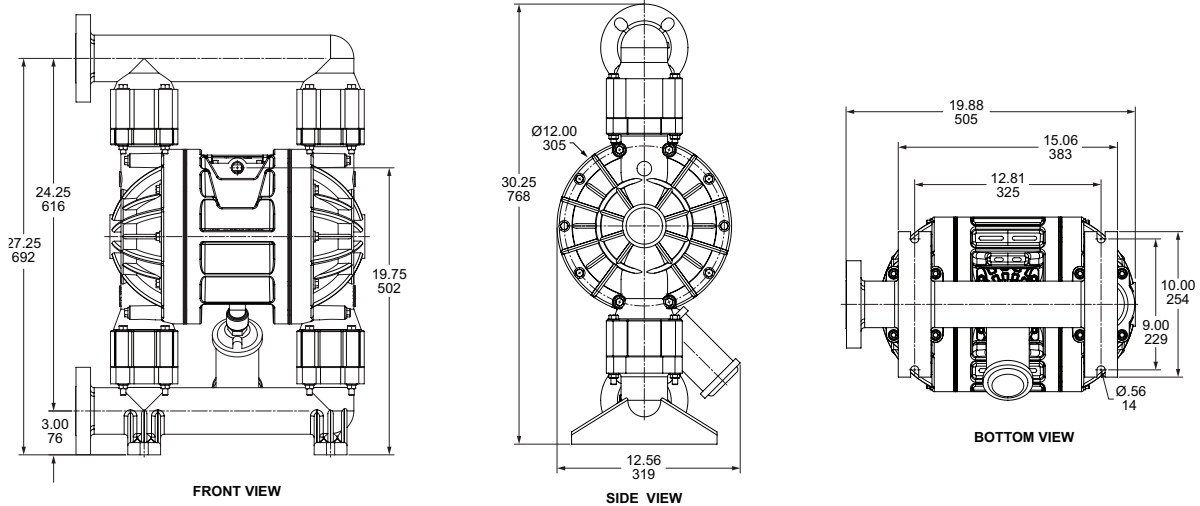
## SPECIFICATIONS & PERFORMANCE

### 2" Bolted Plastic with Plastic Center Sections

#### U2 Bolted Plastic - End Ported

Dimensions in inches (mm dimensions in brackets)

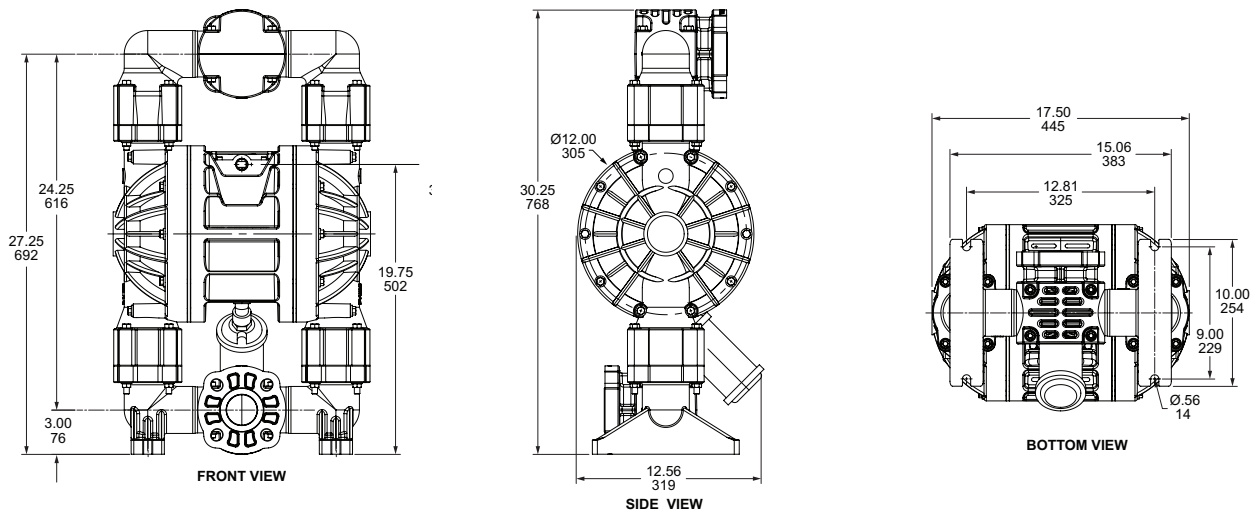
The dimensions on this drawing are for reference only. A certified drawing can be requested if physical dimensions are needed.



#### U2 Plastic Bolted - Center Ported

Dimensions in inches (mm dimensions in brackets)

The dimensions on this drawing are for reference only. A certified drawing can be requested if physical dimensions are needed.



**VERSAMATIC®** **BEDU**  
≡ POMPEN ≡

Warren Rupp, Inc. | A Unit of IDEX Corporation  
800 North Main Street | Mansfield, OH 44902 USA  
Phone: 419.526.7296 | Fax: 419.526.7289

[VERSAMATIC.COM](http://VERSAMATIC.COM)

u2nsm-rev0519

©Copyright 2019 Warren Rupp, Inc. All Rights Reserved.