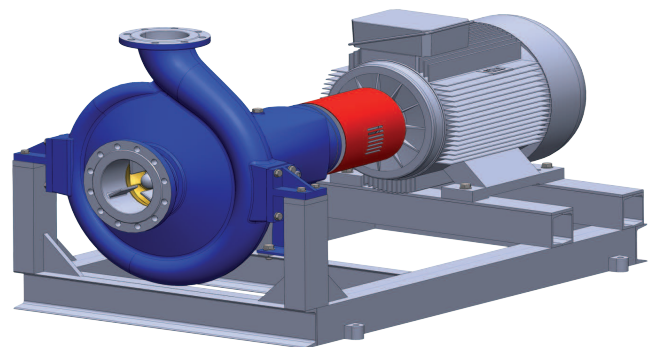


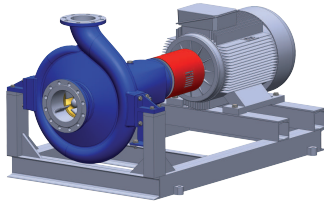
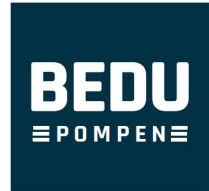
BEDU
≡ POMPEN ≡

SCP - HT HOT WATER PUMPS



made for your process

SCP HT HOT WATER PUMPS



Handled Liquids

SCP-HT Pumps are specially designed for hot water and geothermal water application.

Technical Data

Discharge Flange _____ DN 32 DN 250 mm

Capacity _____ up to 1700 m³/h

Head _____ up to 160 m

Speed _____ up to 2900 rpm

Operating Temperature _____ up to 230 °C*

Casing Pressure (Pmax) _____ 25 bar (40 bar)*

(Pmax : Suction Pressure + Shut off Head)

(*) The material of pumps differ according to the type of pumped liquid, operating temperature and pressure. Contact for detailed information.

- For casing sealing, confined gaskets are used to prevent blow-out under pressure.
- Axial thrust is balanced by impeller balancing holes system.
- Heavy duty shaft not in contact with the medium handled (dry shaft)
- Direction of rotation is clockwise viewed from driver end.
- Bearings of SCP type pumps are always oil lubricated.

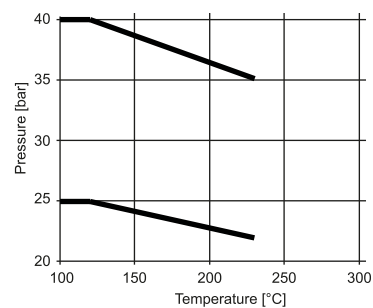
Design Features

- Horizontal, radially split volute casing type, single stage, end suction centrifugal pumps with closed impeller.
- Coupling misalignment due to thermal expansions are mainly reduced with centerline mounting design.
- Suction and discharge flanges conform to EN 1092 - 2 / PN 16
- Due to the back-pull-out design the complete bearing assembly including impeller and casing cover can be dismantled without removing the volute casing from the pipe system. (With spacer coupling application, also possible to take out the rotor group without dismantling the electric motor.)
- All impellers are dynamically balanced according to ISO 1940 class 6.3.

Shaft Sealing

- Depending on request or requirement, pumps with soft packing or single, double and cartridge type mechanical seals can be supplied.
- External seal cooling system may be used if required.

Pressure & Temperature Limits



Pump Designation

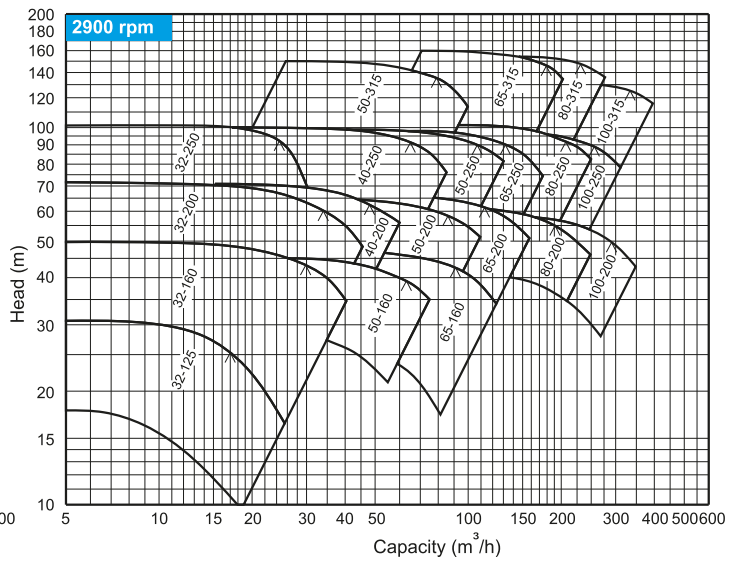
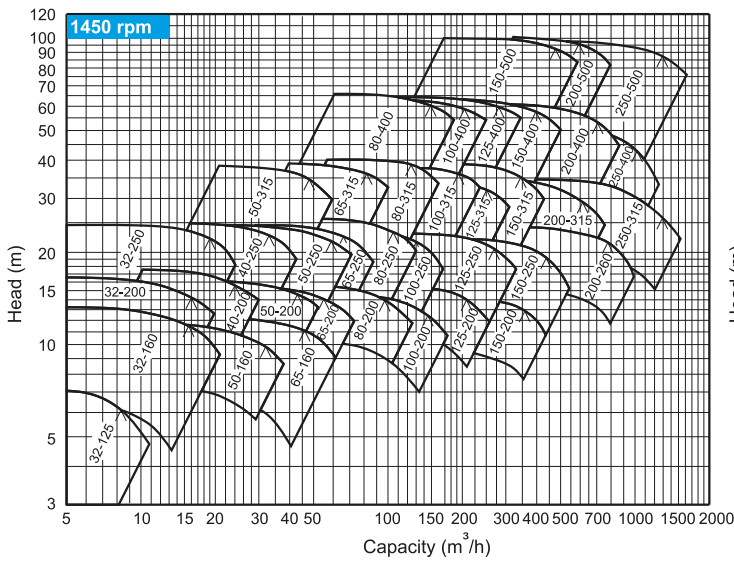
Pump Type _____

Discharge Nozzle (DN-mm) _____

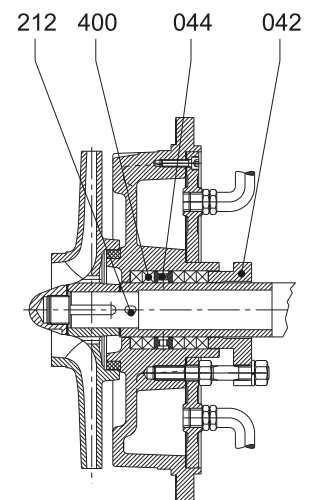
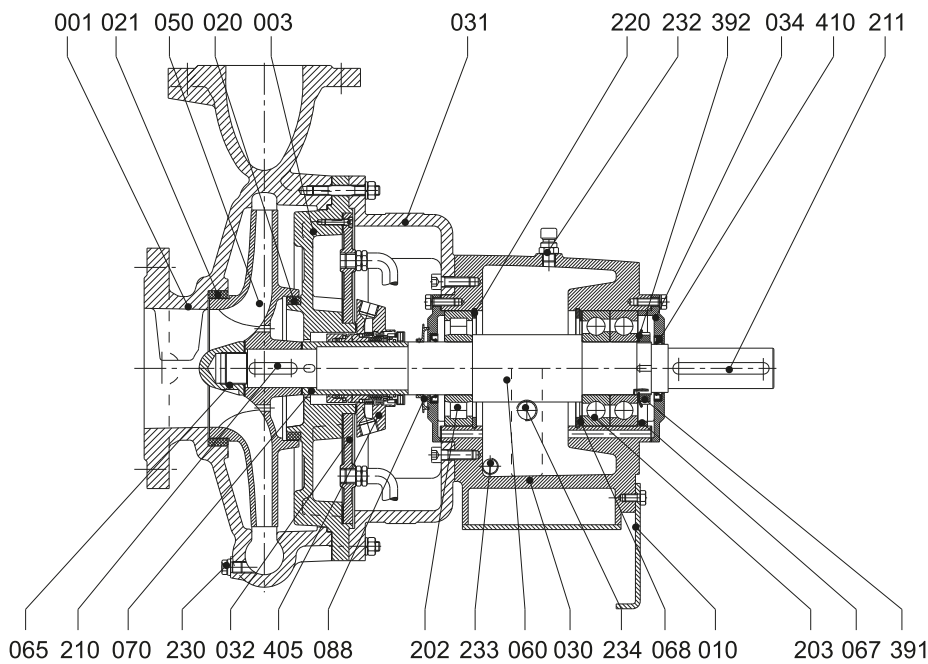
Nominal Impeller Diameter (mm) _____

SCP-HT 100 - 250

Field Chart



Sectional Drawings



Part List

001 Volute Casing	050 Impeller	212 Shaft Sleeve Key
003 Casing Cover	060 Shaft	220 Circlip
010 Support Foot	065 Impeller Nut	230 Drain Plug
020 Wear Ring (casing)	067 Bearing Spacer Sleeve	232 Oil Filling Plug
021 Wear Ring (casing cover)	068 Bearing Spacer Sleeve	233 Oil Drain Plug
030 Bearing Bracket	070 Shaft Sleeve	234 Oil Sight Gauge
031 Bearing Bracket Lantern	088 Thrower	391 Shaft Nut
032 Cooling - Heating jacket Cover	202 Cylindrical Roller Bearing	392 Lock Washer
034 Bearing Cover	203 Angular Contact Ball Bearing	400 Soft Packing Seal
042 Gland	210 Impeller Key	405 Mechanical Seal
044 Lantern Ring	211 Key (coupling)	410 Lip Seal

The logo consists of the word "BEDU" in a large, bold, white sans-serif font, with "POMPEN" in a smaller, white sans-serif font below it. The text is centered within a dark teal square, which is itself centered within a white square border. The background of the entire page is a faded industrial scene with various pipes, tanks, and structures.

BEDU
POMPEN

made for your process

- Expert advice
- A customer-oriented organization that adapts to the requirements and wishes of your organization
- Innovative and customized solutions
- Breakdownservice, 24 hours a day, 7 days a week
- Technical service with extensive test facilities, working from our own workplace or at your location
- A fast and appropriate solution for all your issues
- Wide range of liquid pumps
- Repair, maintenance and revision

BEDU POMPEN B.V.
Poort van Midden Gelderland Rood 10
6666 LT HETEREN
Nederland
Telefoon +31 (0)88 4802 900
E-mail sales@bedu.eu

WWW.BEDU.NL

BEDU BELGIUM B.V.B.A.
Industriepark-West 75
9100 SINT-NIKLAAS
België
Telefoon +32 (0)3 80 87 980
E-mail sales@bedu.eu

WWW.BEDU.BE

