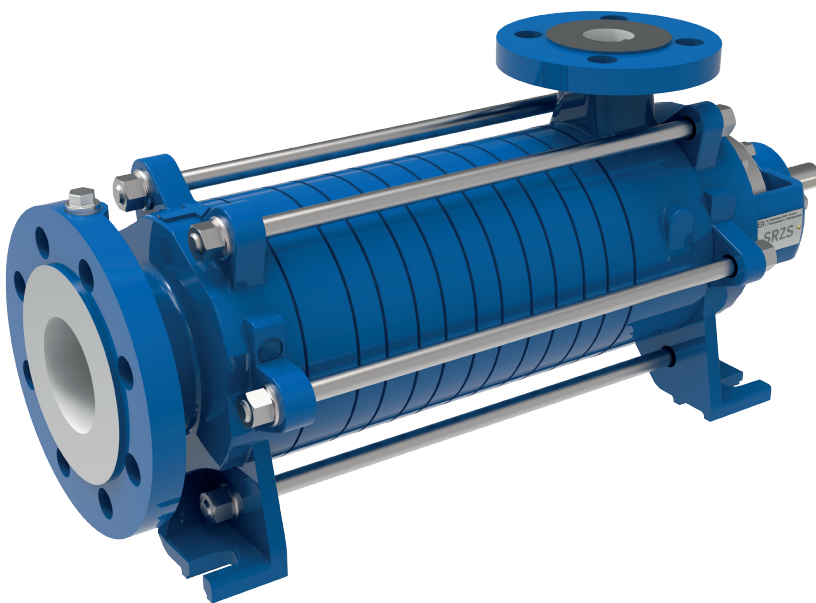


BEDU
≡ POMPEN ≡

SELF-PRIMING SIDE CHANNEL PUMP

SRZS

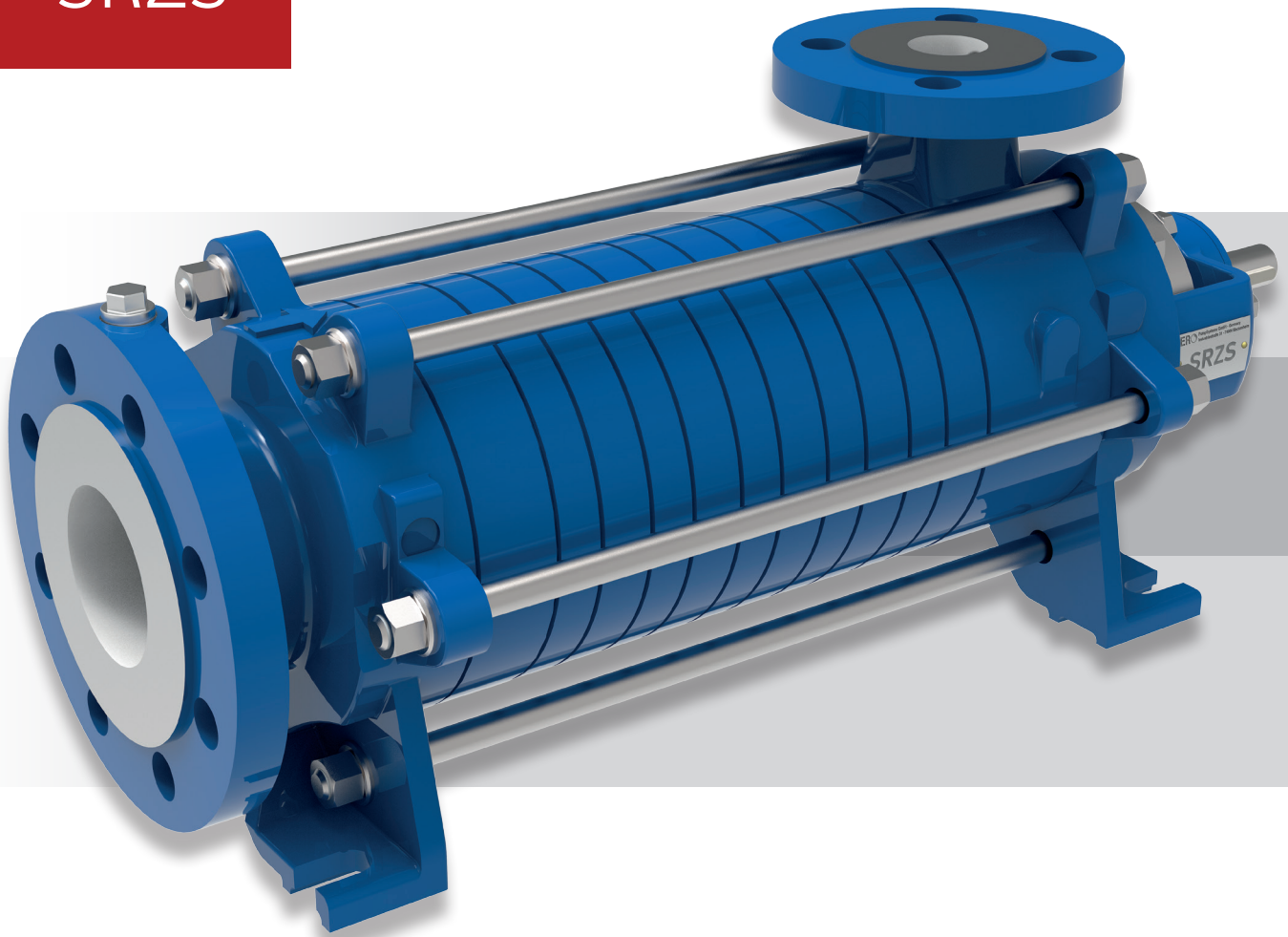


made for your process

SRZS



SERO
PumpSystems



Self-priming Side Channel Pump SRZS.

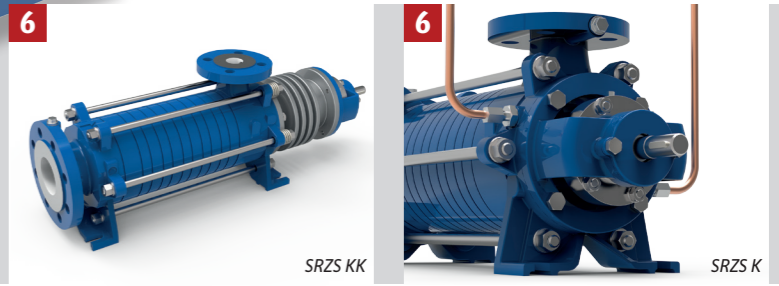
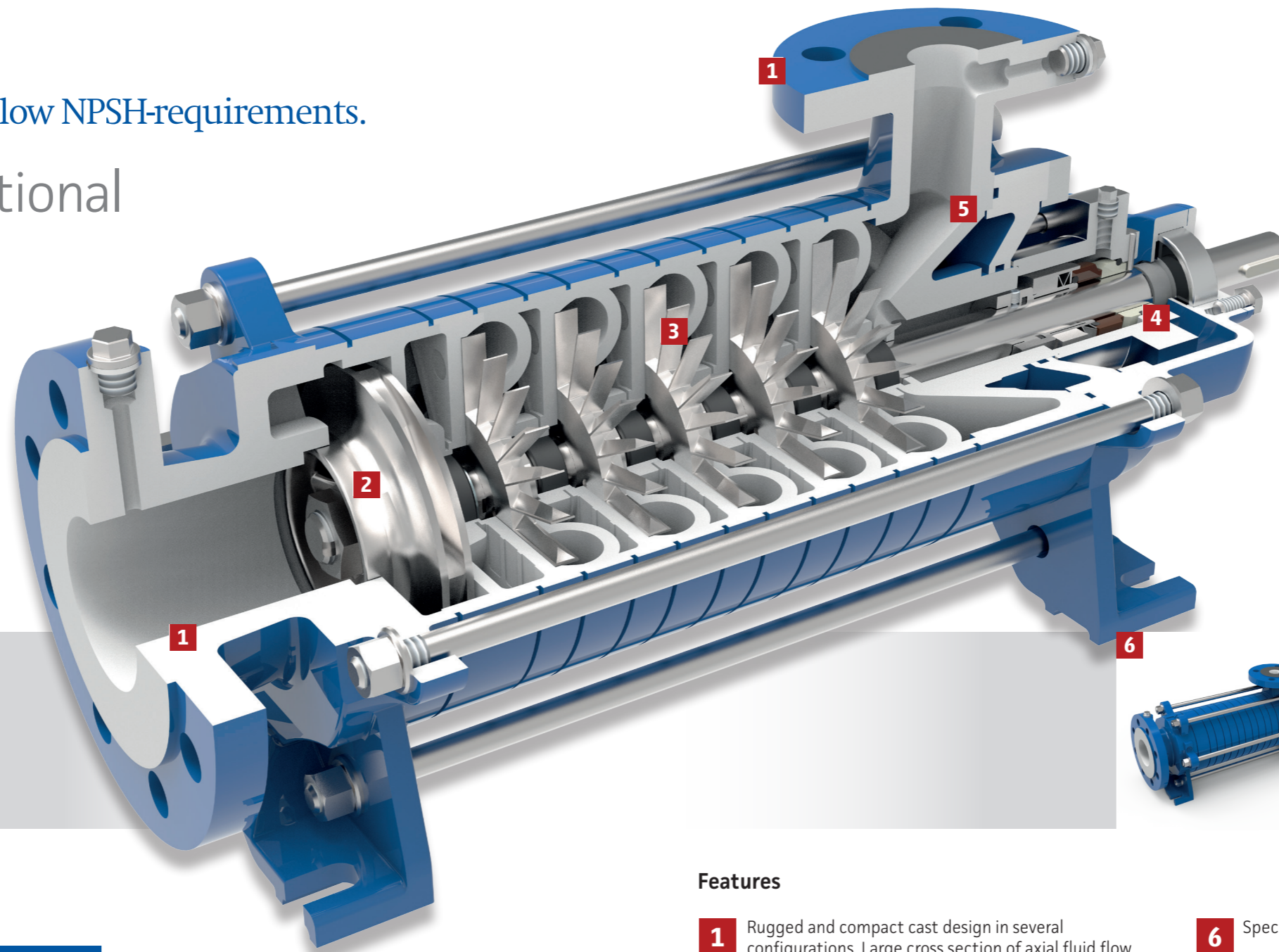
The industrial all-rounder.

- Gas handling capability
- Low NPSH-requirements
- Ability to pump vapor laden process fluids
- Tailor-made variants meeting application needs

Self-priming with extremely low NPSH-requirements.

SRZS. Multifunctional and reliable.

SRZS



Construction

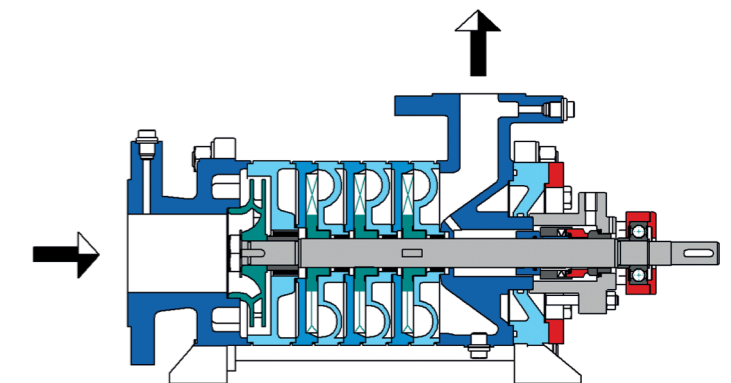
SRZS 110-660	
Nozzle position	suction: axial discharge: radial
Flanges	accord. EN 1092 PN 40 or ANSI 300 lbs as an option
Shaft seal	single and dual mech. seal, each balanced or unbalanced
Bearing (hydraulic range)	Application specific range of bearing bushings made of carbon graphite, bronze or SiC (silicon carbide) available.
Bearing (atmospheric range)	One heavy atmospheric and maintenance-free single-row ball bearing greased for bearing lifetime.
Direction of rotation	counterclockwise (seen from drive end)

Operating data

SRZS 110-660	
Flow rates	up to 36 m ³ /h (1450 1/min) up to 42 m ³ /h (1750 1/min)
Heads	up to 350 m (1450 1/min) up to 550 m (1750 1/min)
Speed	900 - 1800 1/min
Temperature	-20 °C up to +220 °C
Nom. Pressure	max. 40 bar (depending on mech. seal)
NPSH	starts at 0,35 m (1450 1/min) starts at 0,5 m (1750 1/min)

Features

- 1** Rugged and compact cast design in several configurations. Large cross section of axial fluid flow.
- 2** Special NPSH-stage casing and suction impeller provides low NPSH requirements.
- 3** Open star impeller with balancing holes. Self-balanced and free of axial thrust.
- 4** Large number of application specific standardized mech. seals. Component seals according to DIN EN 12756.
- 5** Ability to cooling or heating the space around the stuffing box through auxiliary connections.
- 6** Specific models for special applications are available:
 - LPG (Liquefied petroleum gas)
 - CO (Crude oil)
 - K (High temperature option for media up to +220° C for auxiliary cooling system)
 - KK (High temperature option for media up to +220° C, without cooling system)
 - T (Elevated temperature up to 140° C without cooling system)

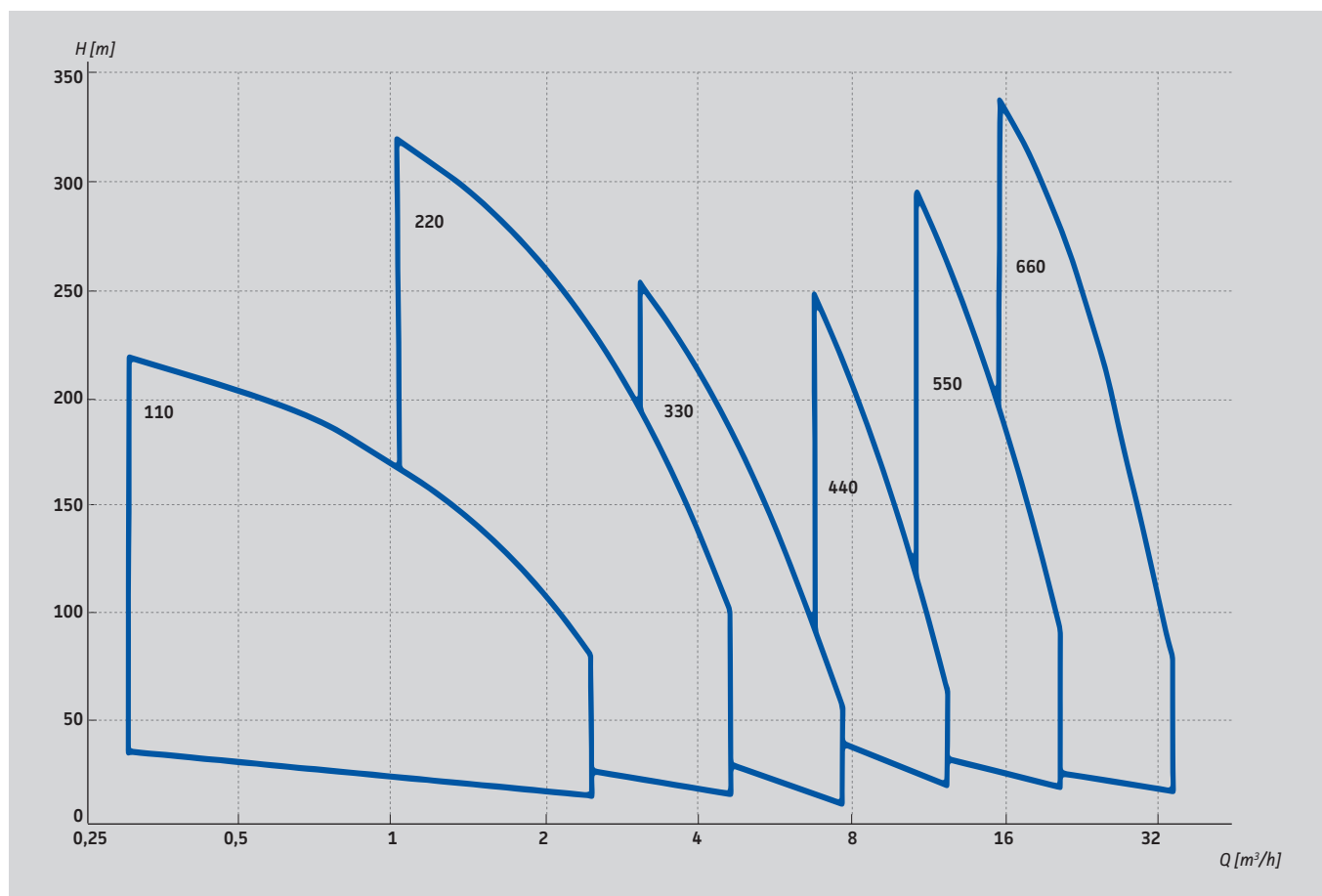


Material Specification

	cast iron (10)	cast iron (12)	ductile iron (60)	ductile iron (62)	stainless steel (32)
Casings	GJS 400-18	GJS 400-18	GJS 400-18	GJS 400-18	1.4408
Inner stage casings	GJL 200	GJL 200	GJS 400-15	GJS 400-15	1.4470 / 1.4581
Shaft	1.4021	1.4021	1.4021	1.4021	1.4571
Impeller	CuZn40Al2	1.4059	CuZn40Al2	1.4059	1.4581
Bearing bushing	Bronze	Carbon	Bronze	Carbon	Carbon

[Subject to modifications]

Performance range 1450 min-1





BEDU
≡ P O M P E N ≡

made for your process

- Deskundig advies
- Een klantgerichte organisatie die zich aanpast aan de eisen en wensen van uw organisatie
- Innovatieve en maatwerkoplossingen
- Storingsdienst 24 uur per dag, 7 dagen in de week
- Technische dienst met uitgebreide testfaciliteiten, werkend vanuit onze eigen werkplaats of bij u op locatie
- Een snelle en passende oplossing voor al uw vraagstukken
- Breed assortiment vloeistofpompen
- Reparatie, onderhoud en revisie

BEDU POMPEN B.V.
Poort van Midden Gelderland Rood 10
6666 LT HETEREN
Nederland
Telefoon +31 (0)88 4802 900
Fax +31 (0)88 4802 901
E-mail info@bedu.nl

WWW.BEDU.NL

BEDU BELGIUM B.V.B.A.
Industriepark-West 75 bus 24
9100 SINT-NIKLAAS
België
Telefoon +32 (0)3 80 87 980
Fax +32 (0)3 80 87 981
E-mail info@bedu.be

WWW.BEDU.BE

