

BEDU
≡ POMPEN ≡

Verti-Box Sphere-Box



made for your process

vertiBOX



vertiBOX lifting stations can be used in a wide range of situations thanks to their modular structure, which allows the installation to be optimised for the specific usage.

They are equipped to house a DR steel / 37 stainless-steel pump with channel impeller.

They are ideally suited for collecting and lifting clear wastewater and grey water in residential environments, rainwater from car parks or courtyards, and in small civil plant situations for transferring drainage water and seepage water.

Benefits

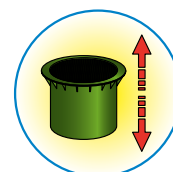
- Modular structure, from 300 to 800 litres
- Walk-over or drive-over cover (B class)
- Provision for intake pipes from DN 50 to DN 110



Cover

Rugged walk-over cover or drive-over cover hermetically sealed with a gasket, with safety closure and inspection window.

A telescopic system allows its height to be adjusted to suit any type of installation.



Structure

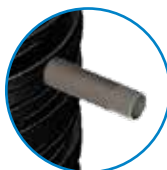
Tough PE construction with reinforcement ribs guaranteeing durability and effective anchoring to the ground.



Inlets

Provision for intake pipes from DN 50 to DN 200 NBR gaskets to seal off liquids and odours.

Holes can be cut on site using a normal holesaw of appropriate diameter.



Discharge

Discharge pipe in PVC with G1 1/4 threaded union.

Contents



DR steel pump

with steel channel impeller and mechanical seal in oil chamber. Free passage max 10 mm.

(Supplied, installation is customer responsibility)



PVC hydraulic accessories

- Ball check valve
- Gate valve
- Connecting pipe

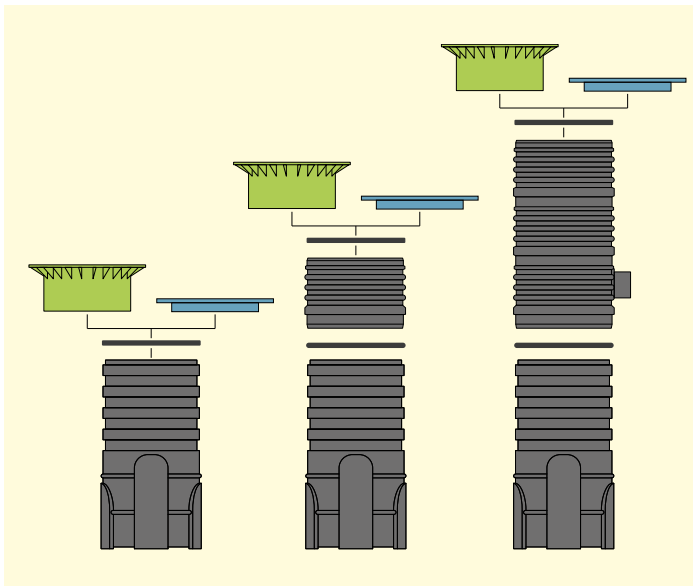
(Accessories may vary depending on configuration)

Optional



Electronic control panel

with self-learning for direct starting of single- and three-phase pumps and protection against dry running via ϕ minimum current.



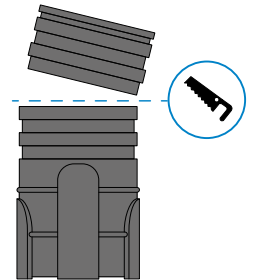
A modular solution

- vertiBOX** can incorporate
- BASE module
 - 400 mm riser
 - 1210 mm riser
 - WALK-OVER or DRIVE-OVER cover (B class)

All component joints are watertight thanks to the use of tough lip seals.

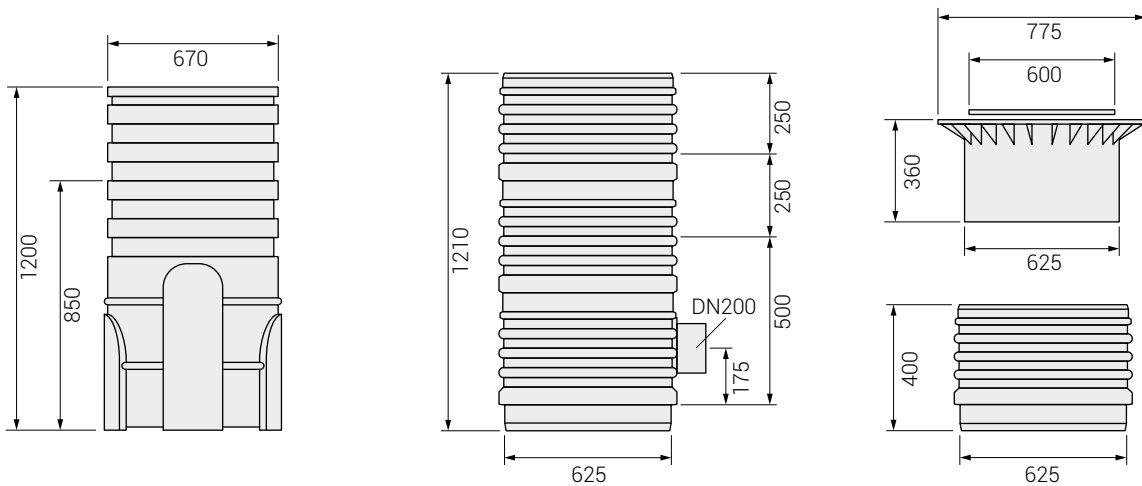
The perfect compatibility of the components means it is possible to create made-to-measure solutions which meet requirements for collecting and lifting water in the best possible manner; this makes them ideal for a wide range of applications, from domestic and residential through to civil plant and industrial.

All BASE modules can be cut to a height of 850 mm if required, reducing their capacity to 300 litres while maintaining complete compatibility with all the other components in the range.



Specifications

vertiBOX 85-120 (BASE module)	
Capacity (l)	300 (h850 mm) - 420 (h1200 mm)
Tank material	PE
Installation	Surface, underground
Pump	1 x DR steel 37
Cable	10 m with Schuko plug
Discharge	G1¼"
(tank only)	18



Pump Specifications

	Impeller type	V/~	P2 [kW]	A	Ø	Free passage
DR steel 37 M50	Channel type	230/1	0.37	3.1	G 1¼"	10 mm

sphereBOX



The **sphereBOX** lifting station incorporates various modular components allowing a custom composition which adapts to the needs of users. As well as the different tank capacities, it is also possible to choose the type of internal installation, the most suitable riser and the type of cover (walk-over or drive-over version).

Use with *bluePRO* or *Grey* pumps with 2" discharge recommended.

Can be used for collecting and disposing of heavily soiled wastewater of civil origin, sewage and industrial wastewater.

Benefits

- Range includes 600, 900 and 1200 litre models
- Modular components for optimised installation
- Provision for pumps with 2" discharge outlets

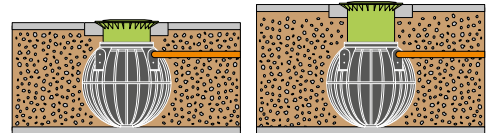


Cover

Tough cover, hermetically sealed with safety closure and inspection window.

Available in walk-over or drive-over version.

Height can be adjusted to suit any type of installation.



Risers

Two different riser types can be used, simplifying installation even in existing systems.



Structure

Tough PE construction with reinforcement ribs guaranteeing durability and effective anchoring to the ground.

Contents



PVC hydraulic accessories

- Ball check valve
- Gate valve
- Connecting pipe

(Accessories may vary depending on configuration)

Recommended pumps

The *sphereBOX* lifting station can be equipped with pumps with 2" discharge outlets.

Zenit recommends **bluePRO** and **Grey** series pumps with vortex impeller (DG *bluePRO*, DGG) or with grinding system (GR *bluePRO*, GRG).



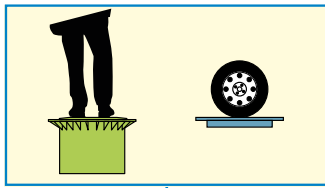
Optional



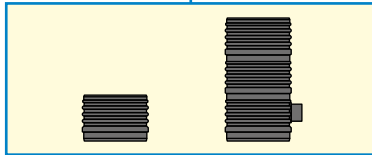
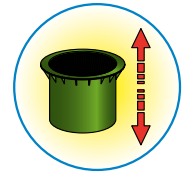
Electronic control panel

with self-learning for direct starting of single- and three-phase pumps and protection against dry running via ϕ minimum current.

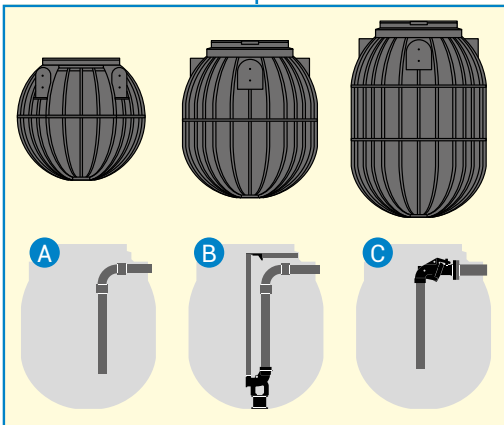
A modular solution



Cover. Walk-over or drive-over cover, Ø 600 mm, compatible with all *sphereBOX* and *vertiBOX* models
Adjustable height with hermetic seal.
Vehicle loading version (class B) with cast iron cover.



Optional riser
Ø600 mm
h 400 - 1210 mm

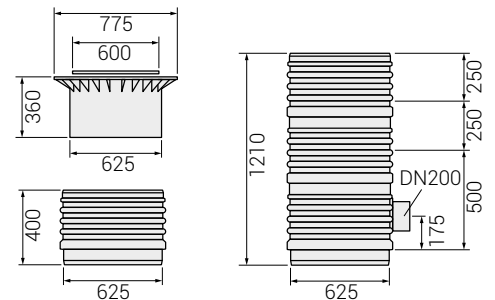


Tank 600 / 900 / 1200 litre
can be installed in the following ways:

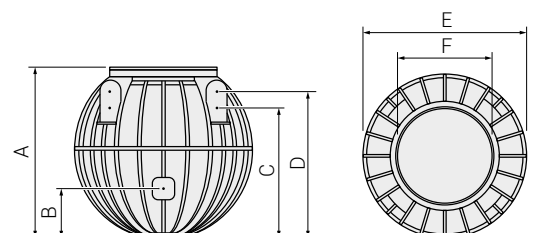
- (A) Fixed** with ball valve, gate valve, and 1 ¼" PVC connecting pipe for 1 pump
- (B) with vertical discharge bottom coupler**, ball valve and 2" PVC connecting pipe for 1 pump
- (C) with DAC E external coupler**, ball valve and 2" PVC connecting pipe for 1 pump (2 pumps only for sphere BOX 1200 model)

Specifications

	<i>sphereBOX</i> 600	<i>sphereBOX</i> 900	<i>sphereBOX</i> 1200
Capacity [l]	600	900	1200
Tank material	PE		
Installation	Underground		
Recommended pump	<i>bluePRO</i> series - Grey series		
Discharge	1 ¼" - 2"		
(tank only)	27	47	58



	A	B	C	D	E	F
<i>sphereBOX</i> 600	1045	-	790	890	1125	645
<i>sphereBOX</i> 900	1345	545	1005	1105	1155	645
<i>sphereBOX</i> 1200	1670	545	1330	1430	1155	645



The logo consists of the word "BEDU" in a large, bold, white sans-serif font, with "POMPEN" in a smaller, white sans-serif font below it. The text is centered within a dark teal square, which is itself centered within a white square border.

BEDU
POMPEN

made for your process

- Expert advice
- A customer-oriented organization that adapts to the requirements and wishes of your organization
- Innovative and customized solutions
- Breakdownservice, 24 hours a day, 7 days a week
- Technical service with extensive test facilities, working from our own workplace or at your location
- A fast and appropriate solution for all your issues
- Wide range of liquid pumps
- Repair, maintenance and revision

BEDU POMPEN B.V.
Poort van Midden Gelderland Rood 10
6666 LT HETEREN
Nederland
Telefoon +31 (0)88 4802 900
E-mail sales@bedu.eu

WWW.BEDU.NL

BEDU BELGIUM B.V.B.A.
Industriepark-West 75
9100 SINT-NIKLAAS
België
Telefoon +32 (0)3 80 87 980
E-mail sales@bedu.eu

WWW.BEDU.BE

